

0CNP3-M57700EN

Directions for the Parts Catalog.

1. This Parts Catalog shows both standard and optional parts.
2. Parts may change without prior notice.
3. The following is an example of the Parts Catalog format.

REF.	LEV.	PARTS NO.	DESCRIPTION	Q'TY						I	R
				(A)	(B)	(C)	(D)	(E)	(F)		
1	1	729595-51390	FUEL INJECTION PUMP	1	1	1	1	1			1
1-1	1	729595-51391	FUEL INJECTION PUMP	1	1	1	1	1		N	1
		(A=E00185) (B=E00200)									
3	2	26022-060162	SCREW M 6X 16	9	9	9	9	9			
3-1	2	26022-060162	SCREW M 6X 16	4	4	4	4	4		K	
		(A=E00156) (B=E00156) (C=E00156) (D=E00156) (E=E00156)									
4	2	129470-51040	CAMSHAFT	1	1	1	1	1			
5	2	122710-51050	BEARING, ROLLER	2	2	2	2	2			
6	2	129470-51060	RETAINER	1	1	1	1	1			

Remarks
(1) BOOST COMPEMSATOR TYPE. OPTIONAL PART, TO E00155,(4JH-DT, 4JH-DTZ

① Ref. No.

The Ref. No. listed may not be in accordance with the illustration Ref. No.

(Ex.) Illustration No.

List Ref No.

1

1

(Before change)

1-1

(After change)

For interchangeable symbols N, R and K, illustrations for new parts may be abbreviated.

② Lev. (Level)

Level indication

The numbers below indicate the level of relativity towards the main part.

1 ---- Main parts (Assembly parts)

2 ---- Sub component included in " 1 ".

3 ---- Sub component included in " 2 ".

Note) Parts that are not for sale are partially illustrated but not listed.

③ Interchangeability Symbol

When a part change takes place, one of the following interchangeability symbols is indicated beside the part.

Symbol	Interchangeability	Contents note
N	Old $\begin{matrix} \leftarrow \text{Yes} \\ \text{No} \rightarrow \end{matrix}$ New	New Part is interchangeable for Old Part but Old Part is not interchangeable for New Part.
Q	Old $\begin{matrix} \leftarrow \text{No} \\ \text{Yes} \rightarrow \end{matrix}$ New	New Part is not interchangeable for Old Part but Old Part is interchangeable for New Part.
R	Old $\begin{matrix} \leftarrow \text{Yes} \\ \text{Yes} \rightarrow \end{matrix}$ New	New/ Old Parts are both interchangeable.
S	Old $\begin{matrix} \leftarrow \text{No} \\ \text{No} \rightarrow \end{matrix}$ New	New/ Old Parts are both not interchangeable.
W		Part newly added.
Z		Part discontinued.
F		Not interchangeable by a single part but interchangeable together with related parts.
K		Changes only for used parts quantities.

④ Effective Machine No.

When a part changes, the effective Machine No. will be indicated in the (A)-(F) column.

Product Symbol	Product No.	Product Symbol	Product No.
C	Clutch No. Compressor No.	F	Machine No. (Agricultural Equip.)
D	Drive No.	M	Machine No.
E	Engine No.		

Note 1) A date may follow the symbol. (Ex.) 1996.01

Note 2) "XXXXX" and "ZZZZZ" are for parts that could not be predicted or for engine models that could not be identified.

Note 3) (A=E00185) is the E (Engine Serial Number) for the column (A) model (in this case 4JH-DT) after the parts design change.

⑤ Remarks

Figures or alphabets (symbols) are entered in the remarks column.

The comments (remarks) on parts that are indicated at the bottom of the illustration are the same symbols as those stated above.

Corresponding table of the machine and engine

Machine			Engine	
Model	PC-No.	SERIAL No.	Model	PC-No.
TE500	0CNP3-G57700	~ F010703	GA140E-SKLA1	0CNP4-G72200
		F010704~	GA140E-ASKLA	0CNP5-G65100

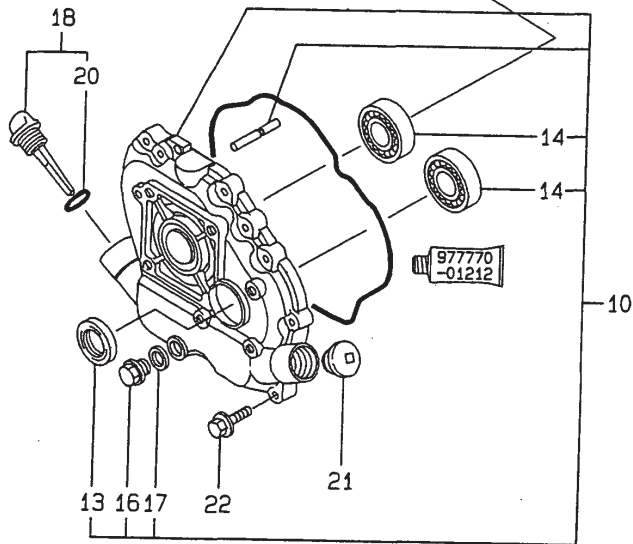
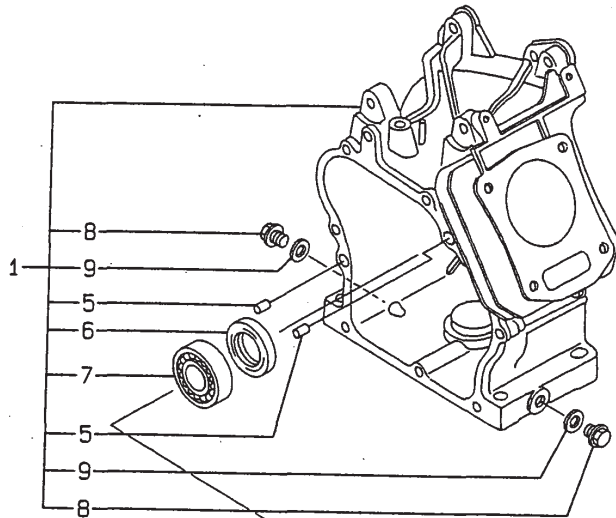
Contents

Fig. No.	Fig. Name
ENGINE UNIT(MODEL GA140E-SKLA)	
1.	CYLINDER BLOCK
2.	CYLINDER HEAD & BONNET
3.	AIR CLEANER & MUFFLER
4.	CRANKSHAFT,PISTON & CAMSHAFT
5.	FUEL OIL TANK & FUEL OIL LINE
6.	CARBURETOR
7.	GOVERNOR & CONTROL DEVICE
8.	FLY.MAGNET & STARTING DEVICE
9.	LABEL
PULLEY & TENSION SEC	
10.	ENGINE MOUNTING
11.	ENGINE & MAIN PULLEYS
12.	TENSION CLUTCH
TRANSMISSION UNIT	
13.	TRANSMISSION CASE
14.	MAIN SHAFT
15.	COUNTER SHAFT
16.	FINAL SHAFT
17.	AXLE
18.	MAIN CHANGE

Fig. No.	Fig. Name
WHEEL SECTION	
19.	FENDER
HANDLE SECTION	
20.	HANDLE COLUMN
21.	HANDLE
22.	CONTROL LEVER(E
ENGINE FRAME SECTION	
23.	ENGINE FRAME
24.	REAR HITCH
25.	BELT COVER
26.	BONNET W
LABELS & ACCESSORIES	
27.	UNIVERSAL HITCH
28.	ELECTRICAL PARTS
29.	LABELS
30.	TOOLS & ACCESSORIES
TILLING SECTION	
31.	TILLING ROTOR(E
32.	TILLING ROTOR(EB

Fig.1. CYLINDER BLOCK

1. CYLINDER BLOCK



(A)=GA140E-SKL1

(B)=

(C)=

(D)=

(E)=

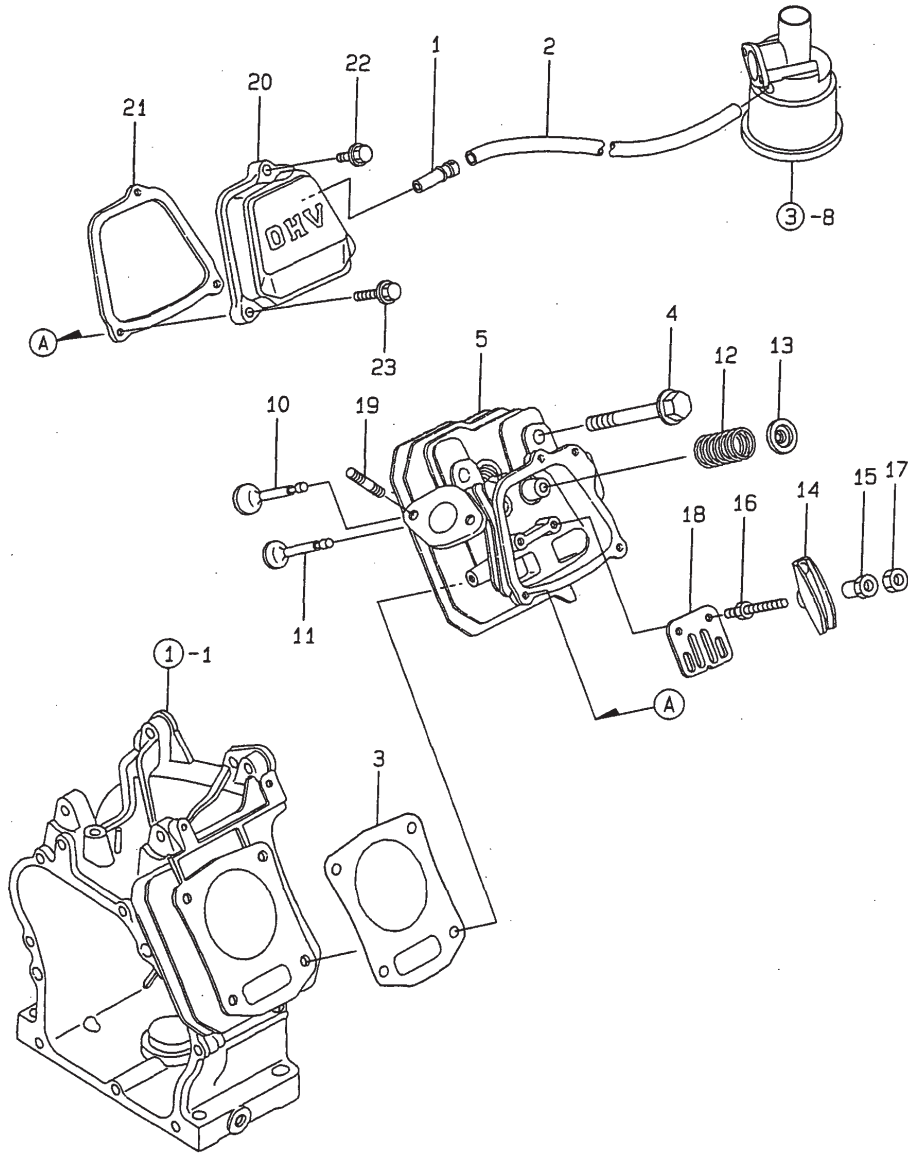
(F)=

No.	Lev.	Parts No.	Description	Q'ty						I	R
				(A)	(B)	(C)	(D)	(E)	(F)		
1	1	760598-01560	BLOCK ASSY, CYLINDER	1							
5	2	114270-01600	PIN, M8X12	2							
6	2	160610-02220	SEAL, 20326	1							
7	2	24101-062040	BEARING, BALL 6204C3	1							
8	2	160610-01690	PLUG, M12	2							
9	2	104200-59170	GASKET, 12	2							
10	1	760590-01500	COVER ASSY	1							
13	2	160610-02220	SEAL, 20326	1							
14	2	24101-062040	BEARING, BALL 6204C3	2							
16	2	160610-01690	PLUG, M12	1							
17	2	104200-59170	GASKET, 12	1							
18	1	160710-01760	CAP ASSY, L82	1							
20	2	24311-000180	O-RING, 1AP18.0	1							
21	1	160110-01870	PLUG, RUBBER	1							
22	1	26476-060252	SCREW, TAPPING M6X25	8							

Remarks
 (REMARKS)"EFFECTIVE MACHINE NO." OF
 ENGINE IS INDICATED ON THE
 ENGINE LABEL WHICH IS SHOWN
 IN FIG.8.

Fig.2. CYLINDER HEAD & BONNET

2. CYLINDER HEAD & BONNET



(A)=GA140E-SKL1

(B)=

(C)=

(D)=

(E)=

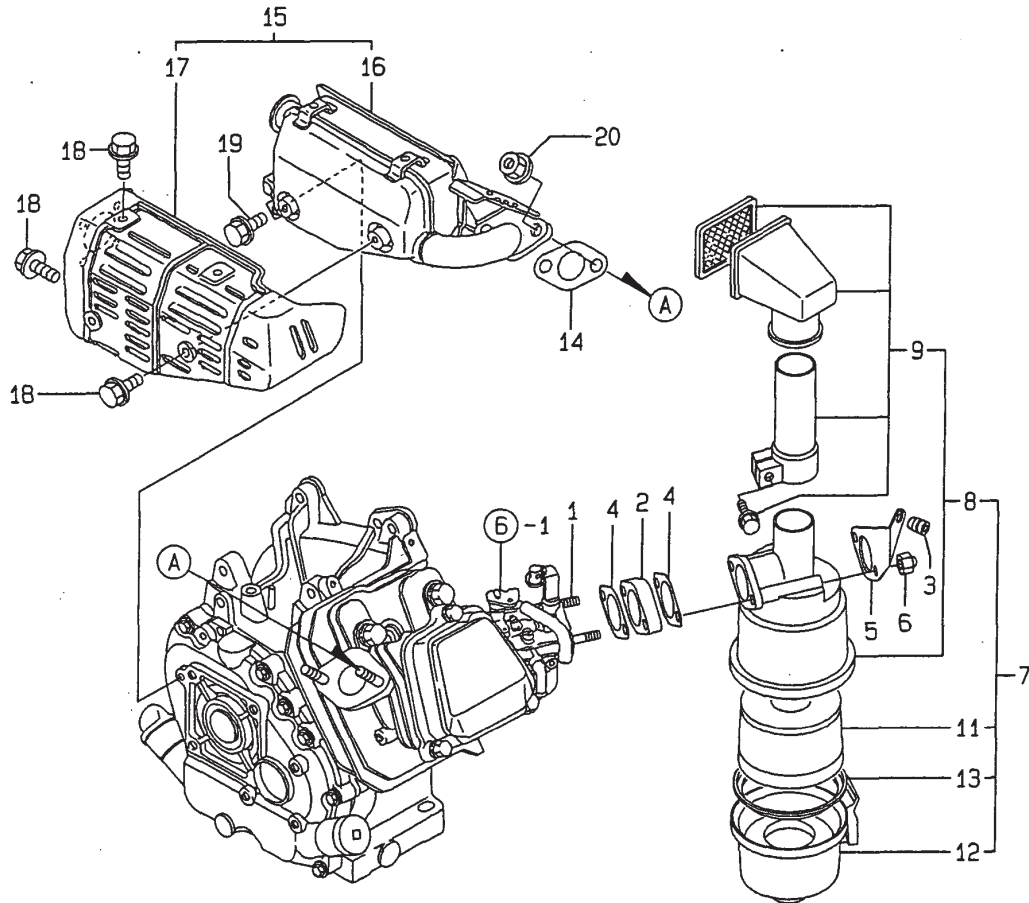
(F)=

No.	Lev.	Parts No.	Description	Q'ty						I	R
				(A)	(B)	(C)	(D)	(E)	(F)		
1	1	160690-03050	BREATHER	1							
2	1	160593-03180	HOSE, BREATHER	1							
3	1	160598-01330	GASKET, HEAD	1							
4	1	160610-04201	BOLT, FLANGE M8X53	4							
5	1	160590-11010	HEAD ASSY, CYLINDER	1							
10	1	160590-11100	VALVE, INTAKE	1							
11	1	160590-11110	VALVE, EXHAUST	1							
12	1	160690-11120	SPRING, VALVE	2							
13	1	160690-11180	RETAINER, SPRING	2							
14	1	160690-11200	ARM, ROCKER	2							
15	1	160690-11221	PIVOT, ROCKER ARM	2							
16	1	160690-11271	BOLT	2							
17	1	160690-11280	NUT, M6X0.5	2							
18	1	160690-11290	PLATE, GUIDE	1							
19	1	26216-080182	STUD, M8X 18	2							
20	1	160690-11300	BONNET	1							
21	1	160690-11310	GASKET, BONNET	1							
22	1	26106-060202	BOLT, M6X 20 PLATED	1							
23	1	26106-060352	BOLT, M6X 35 PLATED	2							

Remarks
 (REMARKS)"EFFECTIVE MACHINE NO." OF
 ENGINE IS INDICATED ON THE
 ENGINE LABEL WHICH IS SHOWN
 IN FIG.8.

Fig.3. AIR CLEANER & MUFFLER

3. AIR CLEANER & MUFFLER



(A)=GA140E-SKL1

(B)=

(C)=

(D)=

(E)=

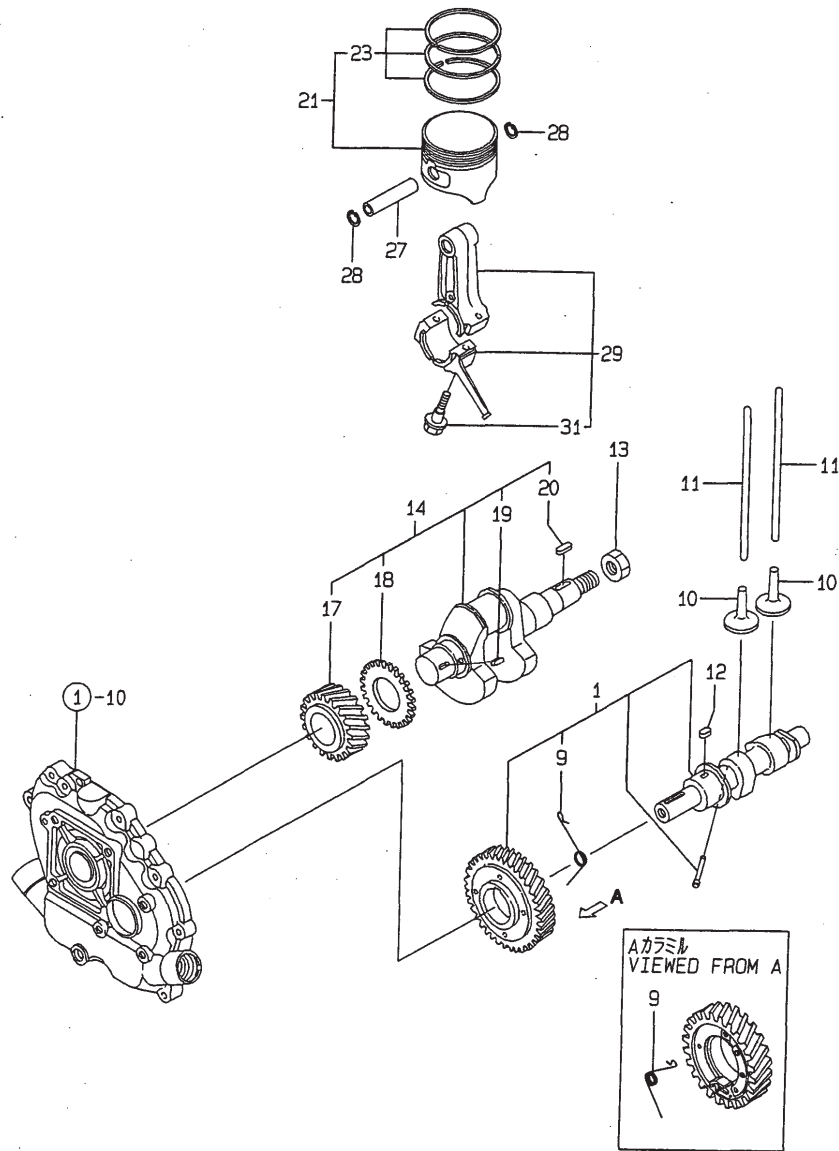
(F)=

No.	Lev.	Parts No.	Description	Q'ty						I	R
				(A)	(B)	(C)	(D)	(E)	(F)		
1	1	160598-04600	SCREW, M6X134	2							
2	1	160690-12261	SPACER, AIR CLEANER	1							
3	1	160763-12600	GROMMET	1							
4	1	160610-56150	GASKET, CARBURETOR	2							
5	1	160598-56250	STAY, CHOKE	1							
6	1	26657-060002	NUT, CAP M6	2							
7	1	160598-12500	CLEANER ASSY, AIR	1							
8	2	160598-12600	BODY ASSY	1							
9	3	160598-12610	PIPE ASSY	1							
11	2	160598-12630	BODY, AIR CLEANER	1							
11-1	2	160492-12630	ELEMENT ASSY	1							S
(A=FROM 1ST)											
12	2	160598-12640	CAP ASSY	1							
12-1	2	160492-12940	SUMP ASSY, OIL	1							S
(A=FROM 1ST)											
14	1	160690-13200	GASKET, MUFFLER	1							
15	1	160598-13600	MUFFLER ASSY	1							
16	2	160598-13510	MUFFLER	1							
17	2	160692-13530	COVER	1							
18	1	114252-13950	BOLT, M6X8	5							
19	1	26106-080122	BOLT, M8X 12 PLATED	1							
20	1	26366-080002	NUT, M8	2							

Remarks
 (REMARKS)"EFFECTIVE MACHINE NO." OF
 ENGINE IS INDICATED ON THE
 ENGINE LABEL WHICH IS SHOWN
 IN FIG.8.

Fig.4. CRANKSHAFT,PISTON & CAMSHAFT

4. CRANKSHAFT,PISTON & CAMSHAFT



(A)=GA140E-SKL1

(B)=

(C)=

(D)=

(E)=

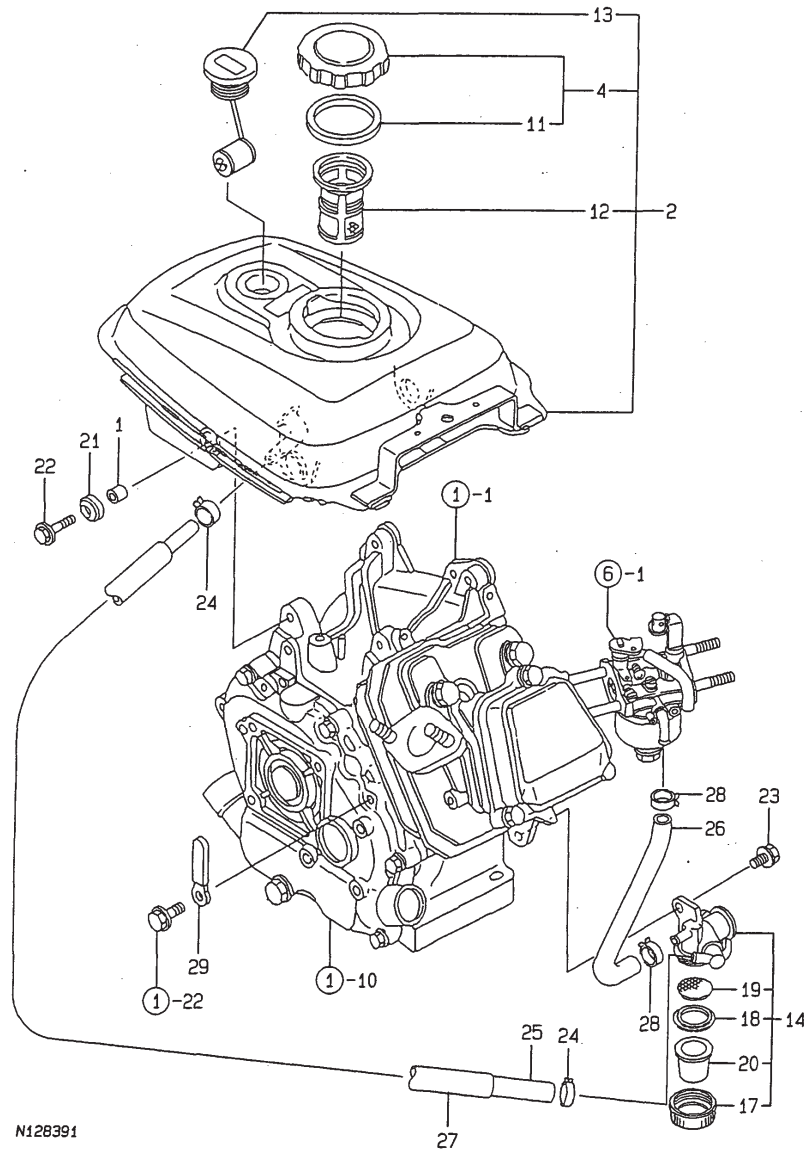
(F)=

No.	Lev.	Parts No.	Description	Q'ty						I	R
				(A)	(B)	(C)	(D)	(E)	(F)		
1	1	160592-14051	CAMSHAFT ASSY	1							
9	2	160590-14571	SPRING,DECOMPRESSION	1							
10	1	160490-14200	TAPPET	2							
11	1	160590-14400	ROD, PUSH	2							
12	1	22512-040120	KEY, 4X 12	1							
13	1	160610-04910	NUT, FLYWHEEL M14	1							
14	1	760590-21700	CRANKSHAFT ASSY	1							
17	2	160590-21200	GEAR, CRANKSHAFT	1							
18	2	160590-21210	GEAR, IDLE	1							
19	2	160610-21290	KEY, 4X10	1							
20	2	22512-040160	KEY, 4X 16	1							
21	1	160598-22010	PISTON ASSY	1							
23	2	760598-22500	RING SET, PISTON	1							
27	1	160590-22300	PIN, PISTON	1							
28	1	22252-000130	RING, 13	2							
29	1	760590-23700	ROD ASSY, CONNECTING	1							
31	2	26106-060302	BOLT, M6X 30 PLATED	2							

Remarks
 (REMARKS)"EFFECTIVE MACHINE NO." OF
 ENGINE IS INDICATED ON THE
 ENGINE LABEL WHICH IS SHOWN
 IN FIG.8.

Fig.5. FUEL OIL TANK & FUEL OIL LINE

5. FUEL OIL TANK & FUEL OIL LINE



N128391

Remarks
 (REMARKS)"EFFECTIVE MACHINE NO." OF
 ENGINE IS INDICATED ON THE
 ENGINE LABEL WHICH IS SHOWN
 IN FIG.8.

(A)=GA140E-SKL1

(B)=

(C)=

(D)=

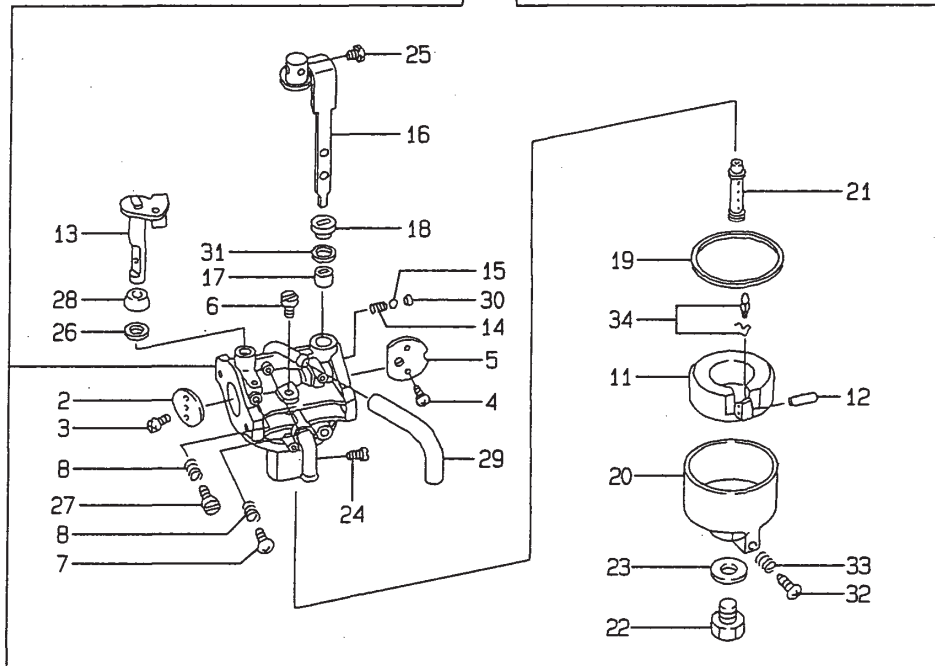
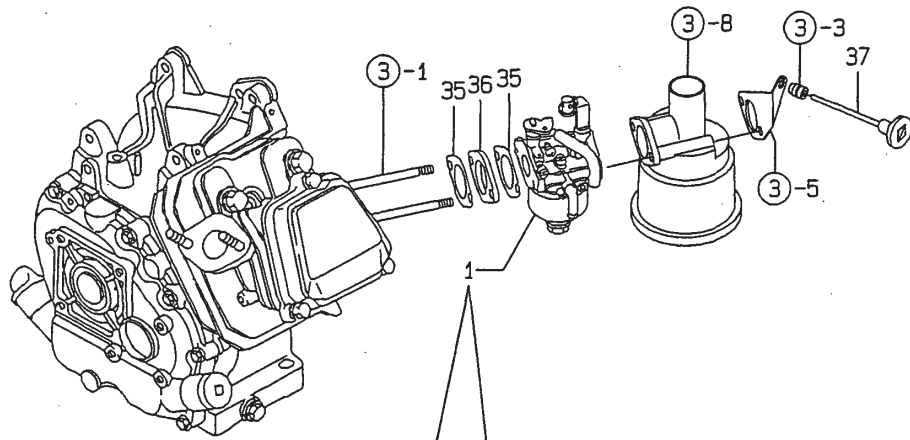
(E)=

(F)=

No.	Lev.	Parts No.	Description	Q'ty						I	R
				(A)	(B)	(C)	(D)	(E)	(F)		
1	1	114250-45310	COLLAR	4							
2	1	760593-55703	TANK ASSY, FUEL	1							
4	2	160710-55061	CAP ASSY	1							
11	3	160393-55050	GASKET	1							
12	2	160610-55100	FILTER, FUEL	1							
13	2	160592-55160	GAUGE, FUEL	1							
14	1	160692-55300	COCK ASSY, FUEL	1							
17	2	160710-55360	RING	1							
18	2	160710-55370	GASKET	1							
19	2	160710-55382	FILTER	1							
20	2	160710-55390	CUP, FUEL COCK L37	1							
21	1	160690-55461	DAMPER, FUEL TANK	4							
22	1	160690-55140	BOLT	4							
23	1	26106-060102	BOLT, M6X 10 PLATED	1							
24	1	106990-44660	CLIP, HOSE 12.5	2							
25	1	160730-59370	PIPE, FUEL	1							
26	1	160820-59390	PIPE, D11.5/L159	1							
27	1	160690-59400	TUBE, PROTECT	1							
28	1	124060-77680	CLIP, HOSE 10	2							
29	1	160710-78710	CLAMP, CORD	1							

Fig.6. CARBURETOR

6. CARBURETOR



Remarks
 (1) REPAIR PART.
 (REMARKS)"EFFECTIVE MACHINE NO." OF
 ENGINE IS INDICATED ON THE
 ENGINE LABEL WHICH IS SHOWN
 IN FIG.8.

(A)=GA140E-SKL1

(B)=

(C)=

(D)=

(E)=

(F)=

No.	Lev.	Parts No.	Description	Q'ty						I	R
				(A)	(B)	(C)	(D)	(E)	(F)		
1	1	160598-56080	CARBURETOR ASSY	1							
2	2	160592-56540	VALVE, THROTTLE	1							
3	2	160690-56560	SCREW	1							
4	2	160690-56570	SCREW	2							
5	2	160590-56530	VALVE, CHOKE	1							
6	2	160710-56740	JET, PILOT	1							
7	2	160692-56710	SCREW	1							
8	2	181230-56380	SPRING	2							
11	2	160769-56620	FLOAT ASSY	1							
12	2	160610-56630	PIN, FLOAT	1							
13	2	160692-56640	SHAFT, THROTTLE	1							
14	2	160310-56980	SPRING, CHOKE	1							
15	2	160310-56990	BALL, STEEL	1							
16	2	160590-56650	LEVER, CHOKE	1							
17	2	160810-56580	RING, CHOKE SHAFT	1							
18	2	160810-56590	RING, CHOKE LEVER	1							
19	2	160610-56610	GASKET	1							
20	2	160769-56640	BODY, FLOAT CHAMBER	1							
21	2	160692-56671	JET, MAIN	1							
22	2	160769-56660	BOLT	1							
23	2	160810-56550	WASHER	1							
24	2	160598-56880	JET, MAIN	1							
25	2	26117-040088	BOLT M 4X 8 PLATED	1							
26	2	160640-56850	SEAL	1							
27	2	160667-56750	ADJUSTER	1							
28	2	160702-56720	RING	1							
29	2	160692-56770	HOSE	1							
30	2	160692-56700	PLUG	1							
31	2	160692-56800	RUBBER, SEAL	1							
32	2	160610-56900	SCREW	1							
33	2	181230-56380	SPRING	1							
34	1	160692-56560	VALVE ASSY, NEEDLE	1							1
35	1	160610-56150	GASKET, CARBURETOR	2							
36	1	160690-56160	SPACER, CARBURETOR	1							
37	1	160692-56900	ROD, CHOKE	1							

Fig.7. GOVERNOR & CONTROL DEVICE

(A)=GA140E-SKL1

(B)=

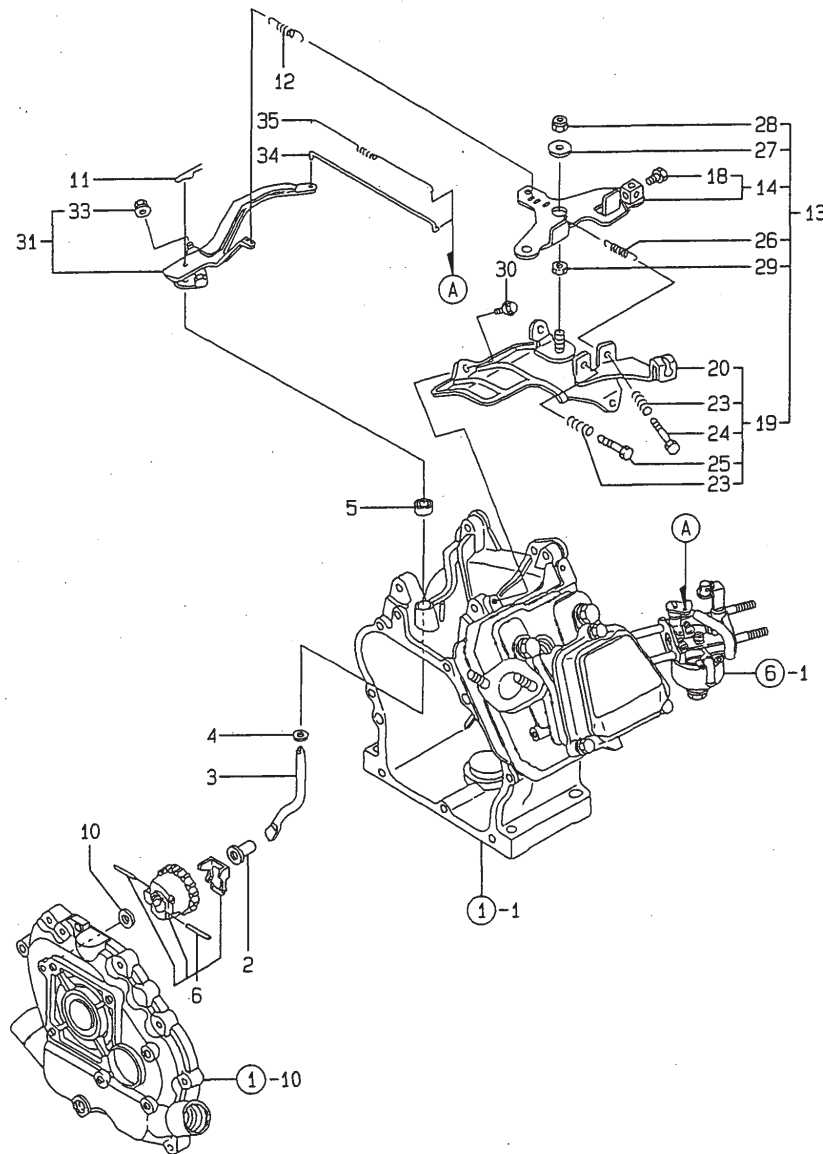
(C)=

(D)=

(E)=

(F)=

7. GOVERNOR & CONTROL DEVICE

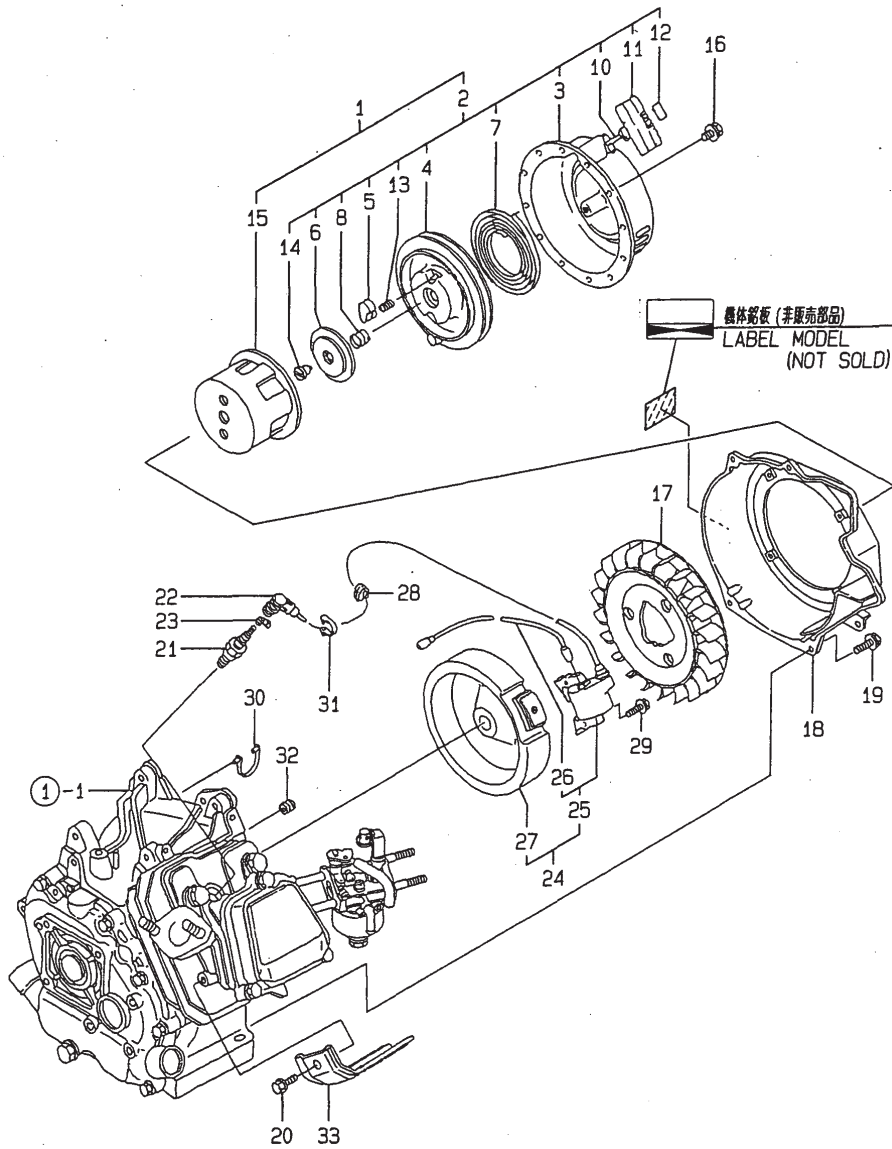


No.	Lev.	Parts No.	Description	Q'ty						I	R
				(A)	(B)	(C)	(D)	(E)	(F)		
2	1	160690-61301	SPINDLE	1							
3	1	160690-61311	SHAFT	1							
4	1	160690-61450	WASHER	1							
5	1	114770-61600	SEAL, OIL	1							
6	1	160690-61600	GEAR ASSY, GOVERNOR	1							
10	1	160120-76940	WASHER	1							
11	1	22372-080000	PIN, SNAP 8	1							
12	1	160594-66011	SPRING, GOVERNOR	1							
13	1	160692-66101	CONTROLLER ASSY	1							
14	2	160692-66051	LEVER ASSY, CONTROL	1							
18	3	26117-040088	BOLT M 4X 8 PLATED	1							
19	2	160690-66111	BASE ASSY	1							
20	3	160690-66143	BASE ASSY	1							
23	3	160520-66291	SPRING	2							
24	3	26117-040257	BOLT, M4X 25 PLATED	1							
25	3	26117-040357	BOLT, M4X 35 PLATED	1							
26	2	160664-66220	SPRING, RETURN	1							
27	2	160670-66350	COLLAR	1							
28	2	26347-060002	NUT, M6	1							
29	2	26757-060002	NUT, LOCK M6	1							
30	1	26476-060142	SCREW, TAPPING M6X14	3							
31	1	160690-66180	LEVER ASSY, GOVERNOR	1							
33	2	26366-060002	NUT, M6	1							
34	1	160690-66200	LINK, THROTTLE	1							
35	1	160690-66210	SPRING, TENSION	1							

Remarks
 (REMARKS)"EFFECTIVE MACHINE NO." OF
 ENGINE IS INDICATED ON THE
 ENGINE LABEL WHICH IS SHOWN
 IN FIG.8.

Fig.8. FLY.MAGNET & STARTING DEVICE

8. FLY.MAGNET & STARTING DEVICE



Remarks
 (REMARKS)"EFFECTIVE MACHINE NO." OF
 ENGINE IS INDICATED ON THE
 ENGINE LABEL WHICH IS SHOWN
 IN FIG.8.

(A)=GA140E-SKL1

(B)=

(C)=

(D)=

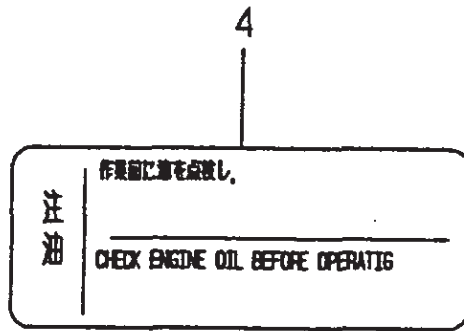
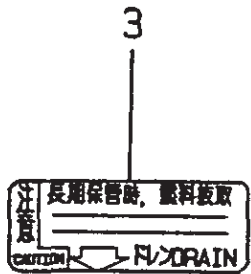
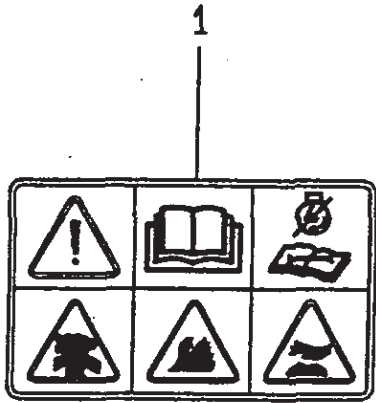
(E)=

(F)=

No.	Lev.	Parts No.	Description	Q'ty						I	R
				(A)	(B)	(C)	(D)	(E)	(F)		
1	1	160693-76051	STARTER ASSY, RECOIL	1							
2	2	160693-76251	STARTER ASSY, RECOIL	1							
3	3	160592-76510	CASE, STARTER	1							
4	3	160690-76521	REEL	1							
5	3	160690-76801	RATCHET	2							
6	3	160690-76531	GUIDE, RATCHET	1							
7	3	160690-76540	SPRING, SPIRAL	1							
8	3	160690-76561	SPRING, FRICTION	1							
10	3	160690-76631	ROPE, STARTER	1							
11	3	160690-76620	KNOB, STARTER	1							
12	3	160690-76830	CAP, KNOB	1							
13	3	160690-76570	SPRING, RETURN	2							
14	3	160698-76580	SCREW	1							
15	2	160690-76591	PULLEY, STARTER	1							
16	1	26106-060082	BOLT, M6X 8 PLATED	4							
17	1	160699-45010	CASE, COOLING FAN	1							
18	1	160592-45110	CASE, COOLING FAN	1							
19	1	26476-060142	SCREW, TAPPING M6X14	4							
20	1	26476-060142	SCREW, TAPPING M6X14	1							
21	1	160793-78010	PLUG, SPARK	1							
22	1	160700-78040	CAP, PLUG	1							
23	1	160700-78050	TERMINAL, PLUG	1							
24	1	160590-78092	MAGNETIC ASSY	1							
25	2	160590-78532	COIL, IGNITION	1							
26	3	160690-78230	WIRE	1							
27	2	160590-78542	ROTOR	1							
28	1	160700-78720	GROMMET	1							
29	1	26476-060302	SCREW, TAPPING M6X30	2							
30	1	29610-000650	CLAMP, SPEED 065	1							
31	1	29610-000950	CLAMP, SPEED 095	1							
32	1	160341-01950	PIPE	1							
33	1	160690-45200	COVER	1							

Fig.9. LABEL

9. LABEL



(A)=GA140E-SKL1
(B)=
(C)=

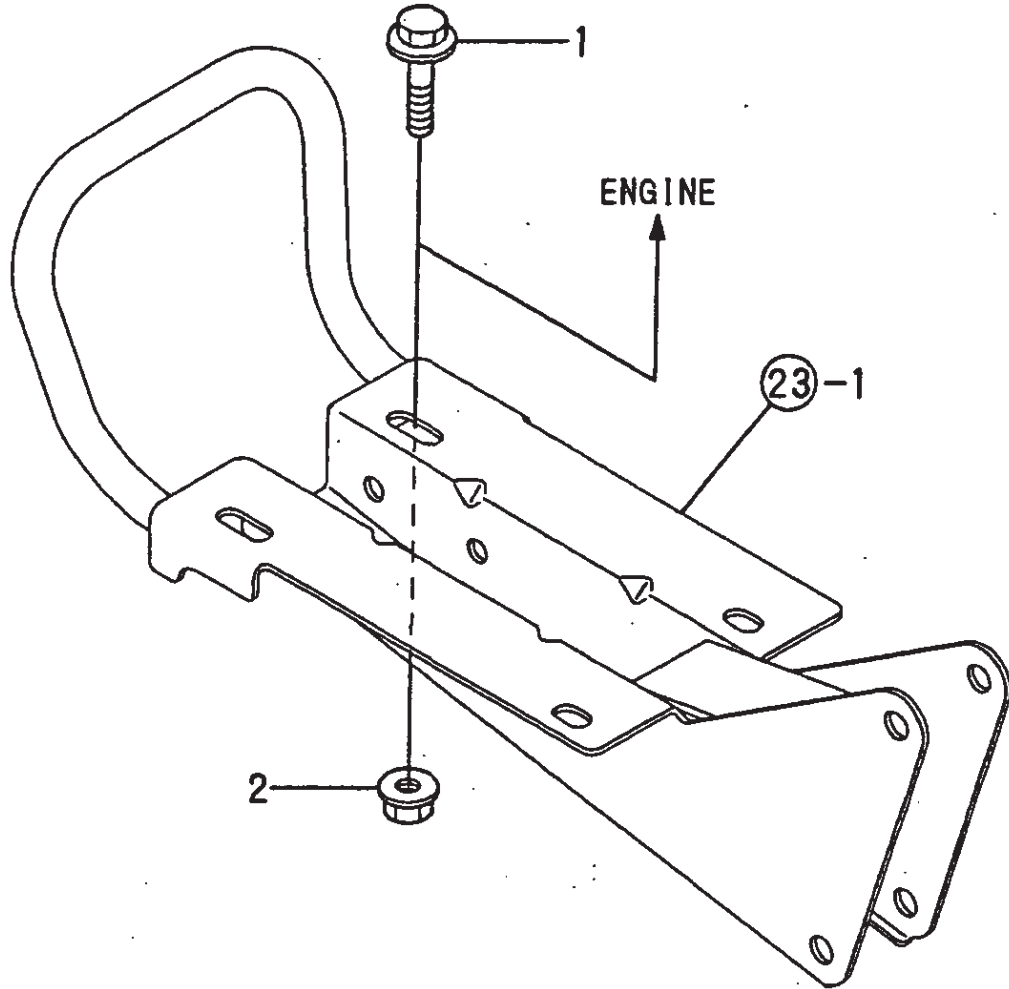
(D)=
(E)=
(F)=

No.	Lev.	Parts No.	Description	Q'ty						I	R
				(A)	(B)	(C)	(D)	(E)	(F)		
1	1	160991-07260	LABEL	1							
2	1	160798-07100	LABEL, FINGER START	1							
3	1	160520-07272	LABEL, DRAIN	1							
4	1	160692-07370	LABEL, AIR CLEANER	1							

Remarks
(REMARKS)"EFFECTIVE MACHINE NO." OF
ENGINE IS INDICATED ON THE
ENGINE LABEL WHICH IS SHOWN
IN FIG.8.

Fig.10. ENGINE MOUNTING

10. ENGINE MOUNTING

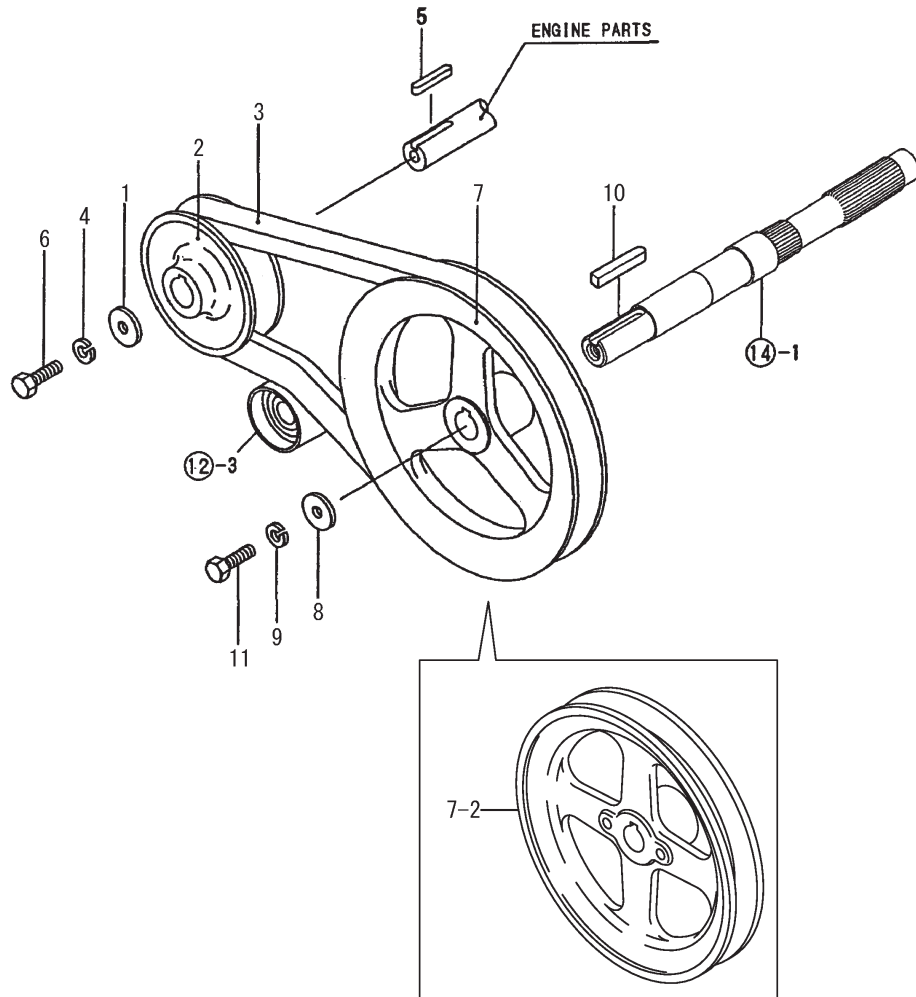


No.	Lev.	Parts No.	Description	Q'ty						I	R
				(A)	(B)	(C)	(D)	(E)	(F)		
1	1	26107-080352	BOLT M 8X 35 PLATED	4							
2	1	26367-080002	NUT, M8	4							

(A)=TE500
(B)=
(C)=

(D)=
(E)=
(F)=

Fig.11. ENGINE & MAIN PULLEYS



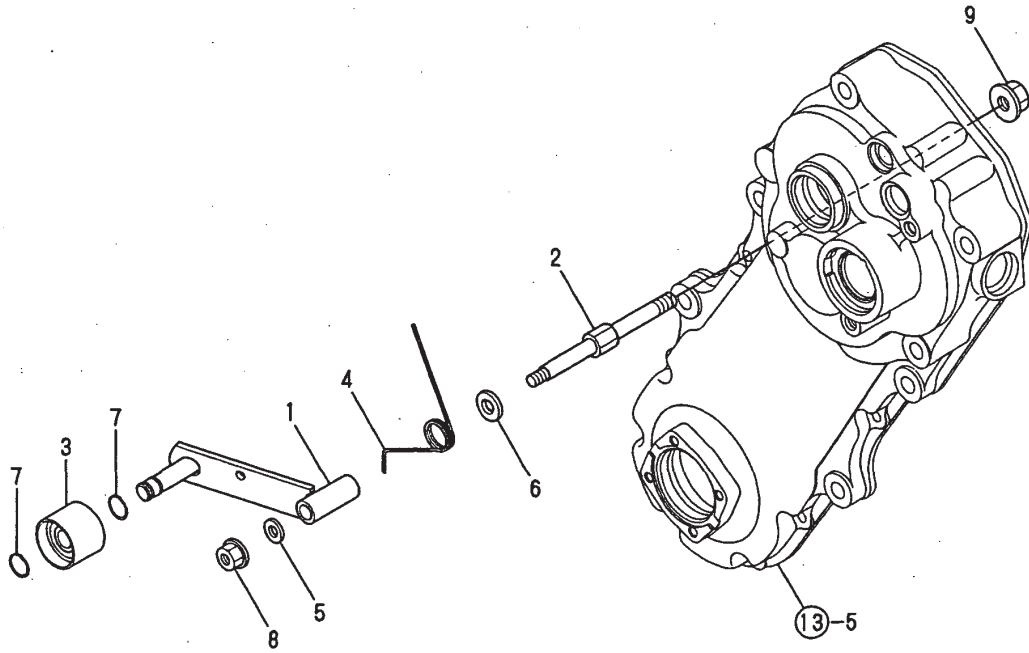
(A)=TE500
(B)=
(C)=

(D)=
(E)=
(F)=

No.	Lev.	Parts No.	Description	Q'ty						I	R
				(A)	(B)	(C)	(D)	(E)	(F)		
1	1	1D1140-11420	WASHER,PULLEY	1							
2	1	1A2132-12000	V-PULLEY 89B COMPL.	1							
3	1	1A2132-12200	V-BELT SB35H	1							
4	1	22217-080000	WASHER, SPRING 8	1							
5	1	22512-050300	KEY, 5X 30	1							
6	1	26117-080162	BOLT M 8X 16 PLATED	1							
7	1	1A2320-13300	V-PULLEY 160	1							
7-1	1	1A2320-13301 (A=FXXXXX)	V PULLEY	1							N
7-2	1	1A2740-13300 (A=FXXXXX)	V PULLEY	1							N
7-3	1	1A2320-13301 (A=FXXXXX)	V PULLEY	1							N
8	1	22157-060000	WASHER, 6	1							
9	1	22217-060000	WASHER, SPRING 6	1							
10	1	22512-050301	KEY, 5X 30	1							
11	1	26117-060162	BOLT M 6X 16 PLATED	1							

Fig.12. TENSION CLUTCH

12. TENSION CLUTCH



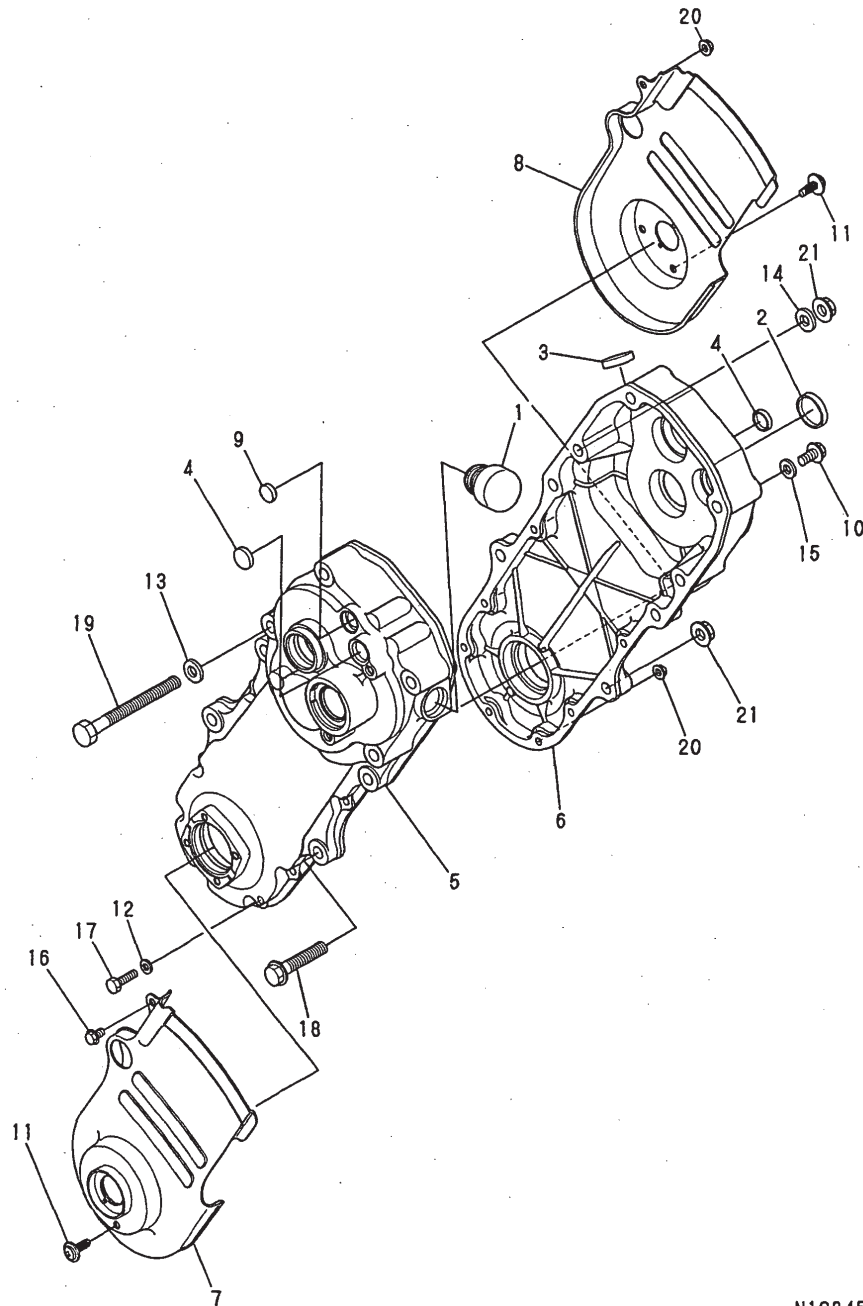
(A)=TE500
(B)=
(C)=

(D)=
(E)=
(F)=

No.	Lev.	Parts No.	Description	Q'ty						I	R
				(A)	(B)	(C)	(D)	(E)	(F)		
1	1	1A2132-13000	ARM COMP.,TENSION	1							
2	1	1A2132-13060	BOLT,TENSION	1							
3	1	1A2320-13100	ROLLER COMP.,TENSION	1							
4	1	1A2132-13190	SPRING,TENSN RETURN	1							
5	1	1D1140-11420	WASHER,PULLEY	1							
6	1	22137-100000	WASHER, 10	1							
7	1	22242-000120	RING, 12	2							
8	1	26367-080002	NUT, M8	1							
9	1	26377-100002	NUT, M10	1							

Fig.13. TRANSMISSION CASE

13. TRANSMISSION CASE



(A)=TE500

(B)=

(C)=

(D)=

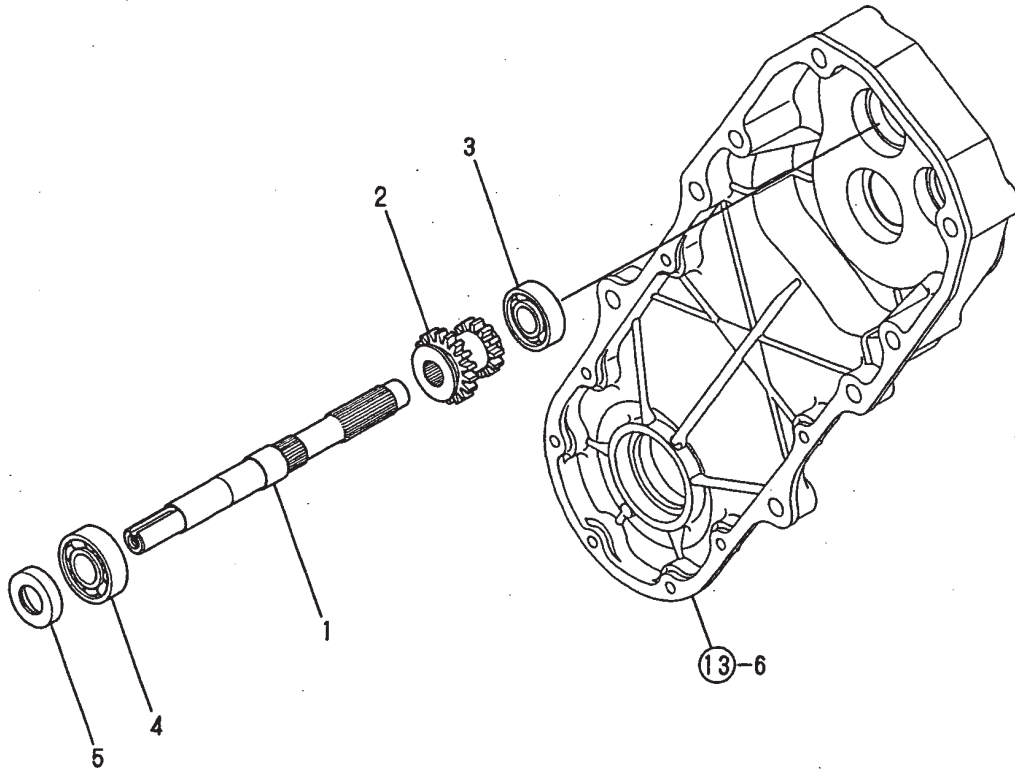
(E)=

(F)=

No.	Lev.	Parts No.	Description	Q'ty						I	R
				(A)	(B)	(C)	(D)	(E)	(F)		
1	1	1A1470-20090	CAP 35,OIL FILLER	1							
2	1	1A1750-20410	CAP 30X5,SEAL	1							
3	1	1A1750-20421	CAP 26X6,SEAL	1							
4	1	1A1750-20431	CAP 18X7,SEAL	2							
5	1	1A2132-21000	CASE L,TRANSMISSION	1							
6	1	1A2132-21010	CASE R,TRANSMISSION	1							
7	1	1A2132-21070	PROTECT COVER L COMP	1							
8	1	1A2132-21080	PROTECT COVER R COMP	1							
9	1	1A2132-21150	CAP 15X4,SEAL	1							
10	1	1A2001-21250	BOLT M8X12,COLLAR HD	1							
11	1	1A1750-90200	SCREW 6X12,COLLAR HD	4							
11-1	1	26476-060122	SCREW, TAPPING M6X12	4							N
(A=FZZZZZ)											
12	1	22137-060000	WASHER, 6	7							
13	1	22137-100000	WASHER, 10	1							
14	1	22137-120000	WASHER, 12	1							
15	1	23414-080000	GASKET, 8X1.0	1							
16	1	26107-060102	BOLT M 6X 10 PLATED	1							
17	1	26117-060222	BOLT 6X22	7							
18	1	26137-100502	BOLT, M10X 50 PLATED	1							
19	1	26157-101002	BOLT, M10X100 PLATED	1							
20	1	26367-060002	NUT, M6	8							
21	1	26377-100002	NUT, M10	2							

Fig.14. MAIN SHAFT

14. MAIN SHAFT



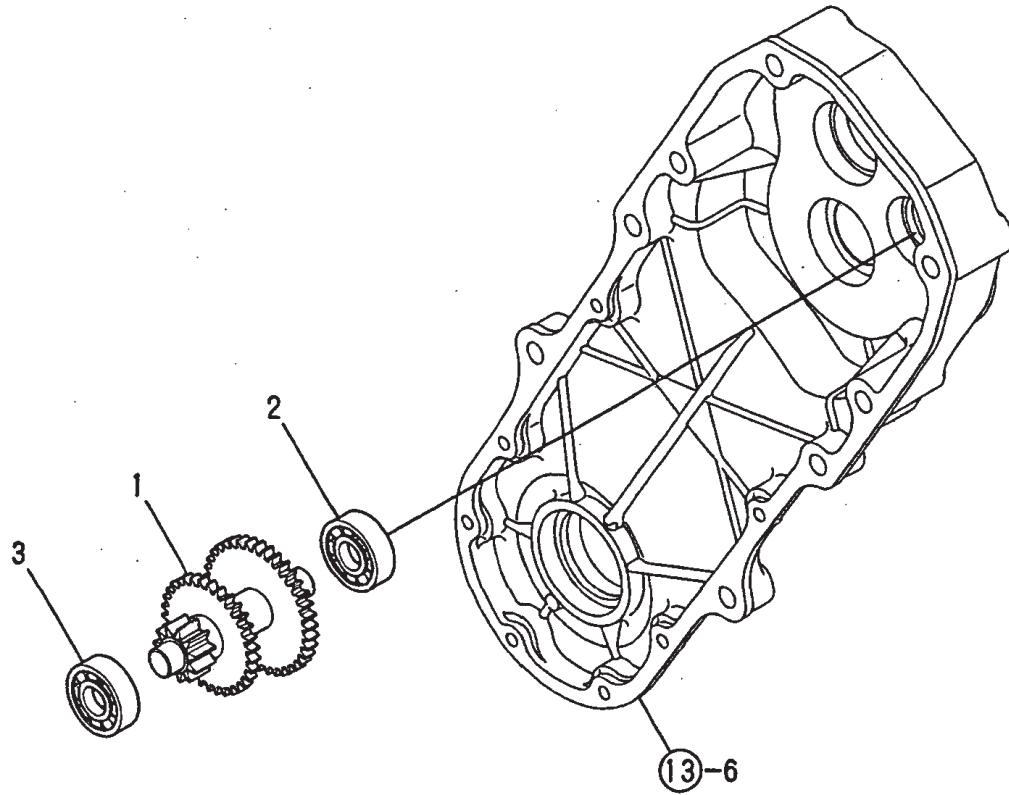
(A)=TE500
(B)=
(C)=

(D)=
(E)=
(F)=

No.	Lev.	Parts No.	Description	Q'ty						I	R
				(A)	(B)	(C)	(D)	(E)	(F)		
1	1	1A2132-23010	SHAFT,MAIN	1							
2	1	1A2132-23020	GEAR 18X13	1							
3	1	24101-062024	BEARING, BALL 6202	1							
4	1	24101-062034	BEARING, BALL 6203	1							
5	1	24421-173007	SEAL, OIL TC173007	1							

Fig.15. COUNTER SHAFT

15. COUNTER SHAFT



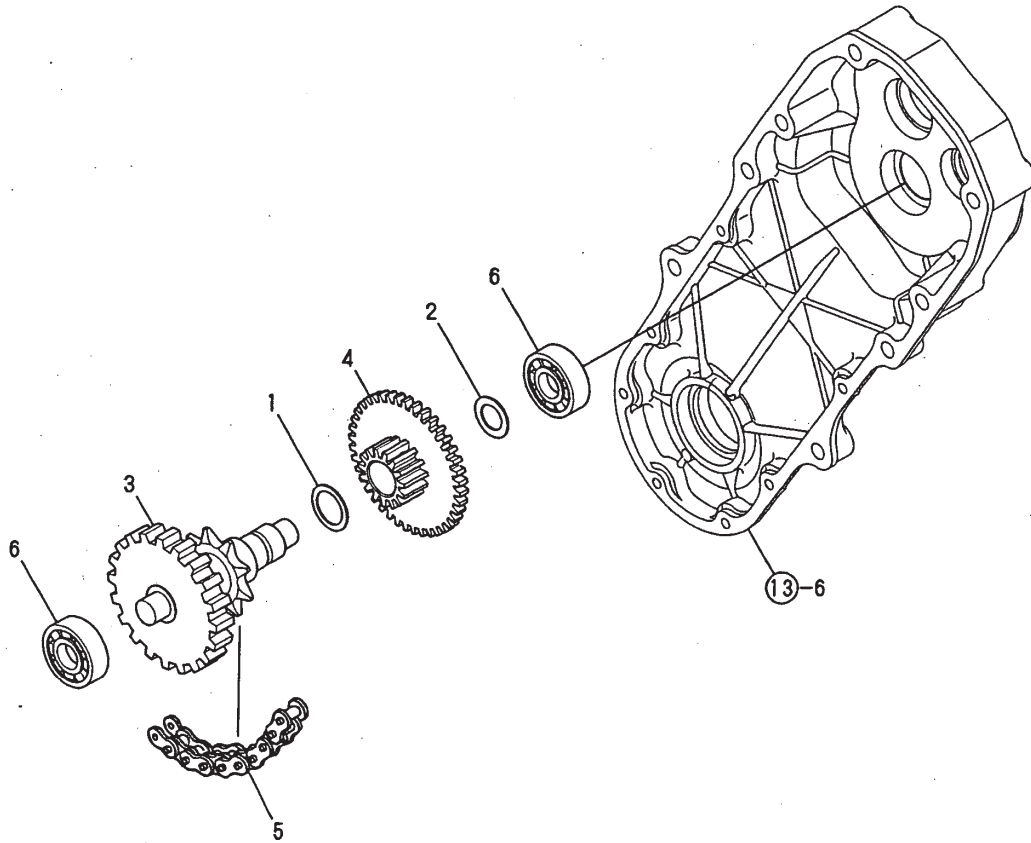
(A)=TE500
(B)=
(C)=

(D)=
(E)=
(F)=

No.	Lev.	Parts No.	Description	Q'ty						I	R
				(A)	(B)	(C)	(D)	(E)	(F)		
1	1	1A2132-23091	SHAFT COMP.,COUNTER	1							
2	1	24101-062034	BEARING, BALL 6203	1							
3	1	24101-063034	BEARING, BALL 6303	1							

Fig.16. FINAL SHAFT

16. FINAL SHAFT



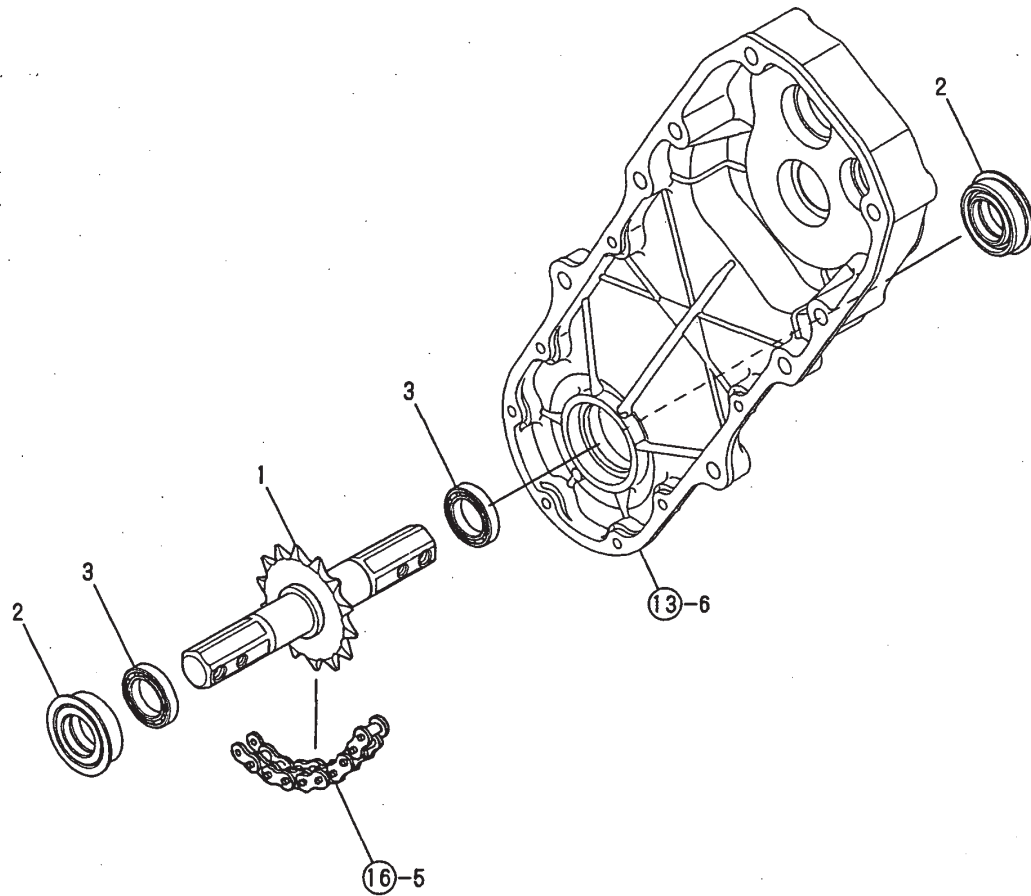
(A)=TE500
(B)=
(C)=

(D)=
(E)=
(F)=

No.	Lev.	Parts No.	Description	Q'ty						I	R
				(A)	(B)	(C)	(D)	(E)	(F)		
1	1	1A2190-23160	LINER 20.2X27X1	1							
2	1	1A1735-23250	SPACER 15X24X1.0	1							
3	1	1A2132-23290	SHAFT COMP.,FINAL	1							
4	1	1A2132-23310	GEAR 40X15 COMPL.	1							
5	1	1A2132-23400	CHAIN 520HKX44,ROLLR	1							
6	1	24101-063024	BEARING, BALL 6302	2							

Fig.17. AXLE

17. AXLE



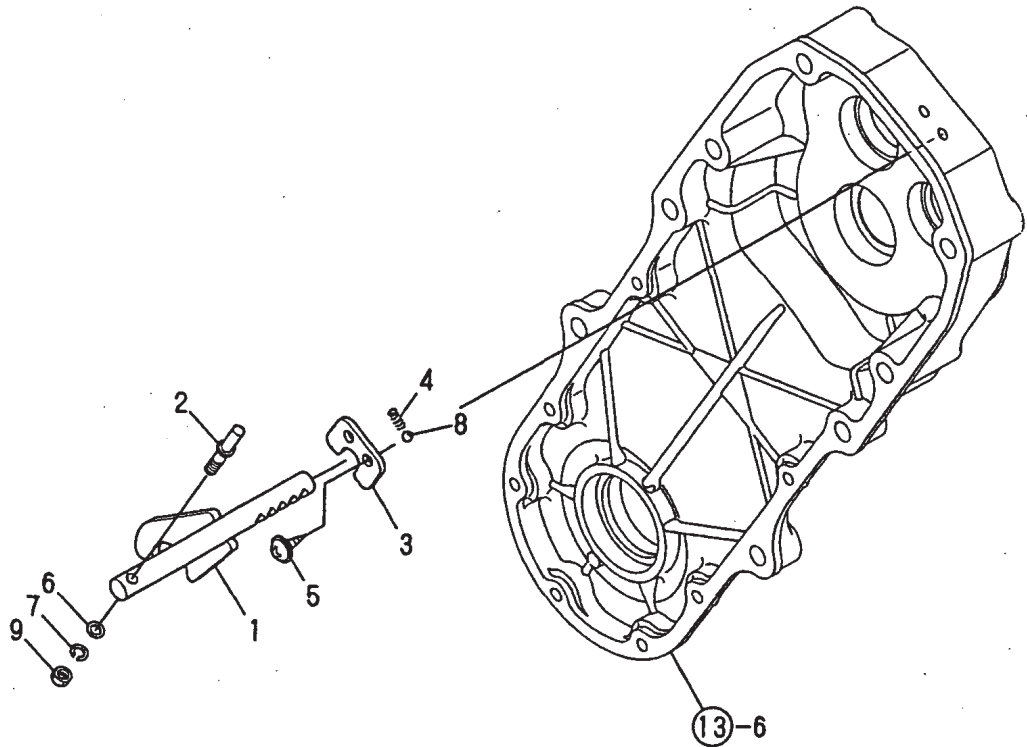
(A)=TE500
(B)=
(C)=

(D)=
(E)=
(F)=

No.	Lev.	Parts No.	Description	Q'ty						I	R
				(A)	(B)	(C)	(D)	(E)	(F)		
1	1	1A2132-24100	AXLE E COMPL.	1							
2	1	1A2000-24600	SEAL 254411,OIL	2							
3	1	24101-062054	BEARING, BALL 6205	2							

Fig.18. MAIN CHANGE

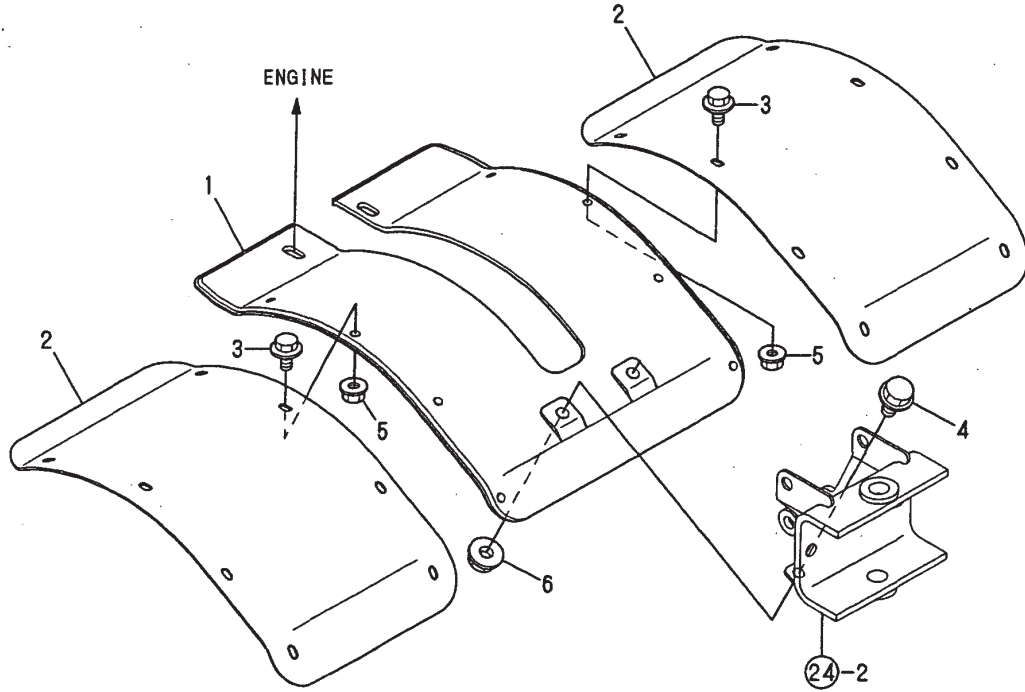
18. MAIN CHANGE



No.	Lev.	Parts No.	Description	Q'ty						I	R
				(A)	(B)	(C)	(D)	(E)	(F)		
1	1	1A2132-27000	SHAFT COMP.,FORK	1							
2	1	1A2132-27050	PIN,CHANGE	1							
3	1	1A2132-27100	PLATE,BALL KEEP	1							
4	1	1E6150-56040	SPRING, FORK	1							
5	1	1A1750-90200	SCREW 6X12,COLLAR HD	2							
6	1	22137-060000	WASHER, 6	1							
7	1	22217-060000	WASHER, SPRING 6	1							
8	1	24190-100001	BALL, STEEL 5/16	1							
9	1	26717-060002	NUT, M6	1							

Fig.19. FENDER

19. FENDER



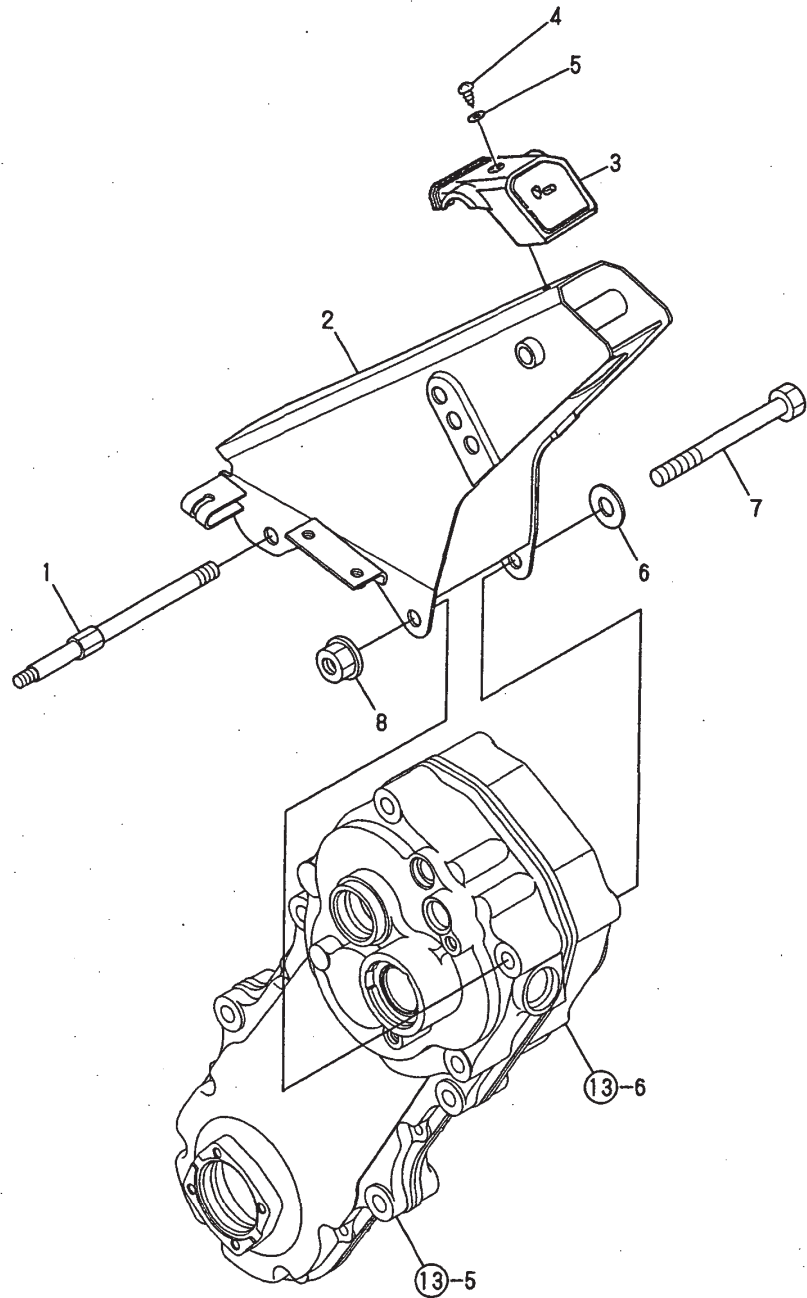
(A)=TE500
(B)=
(C)=

(D)=
(E)=
(F)=

No.	Lev.	Parts No.	Description	Q'ty						I	R
				(A)	(B)	(C)	(D)	(E)	(F)		
1	1	1A2132-32010	FENDER	1							
2	1	1A2132-32020	FENDER,EXTENSION	2							
3	1	26107-060122	BOLT M 6X 12 PLATED	8							
4	1	26107-080142	BOLT M 8X 14 PLATED	2							
5	1	26367-060002	NUT, M6	8							
6	1	26367-080002	NUT, M8	2							

Fig.20. HANDLE COLUMN

20. HANDLE COLUMN

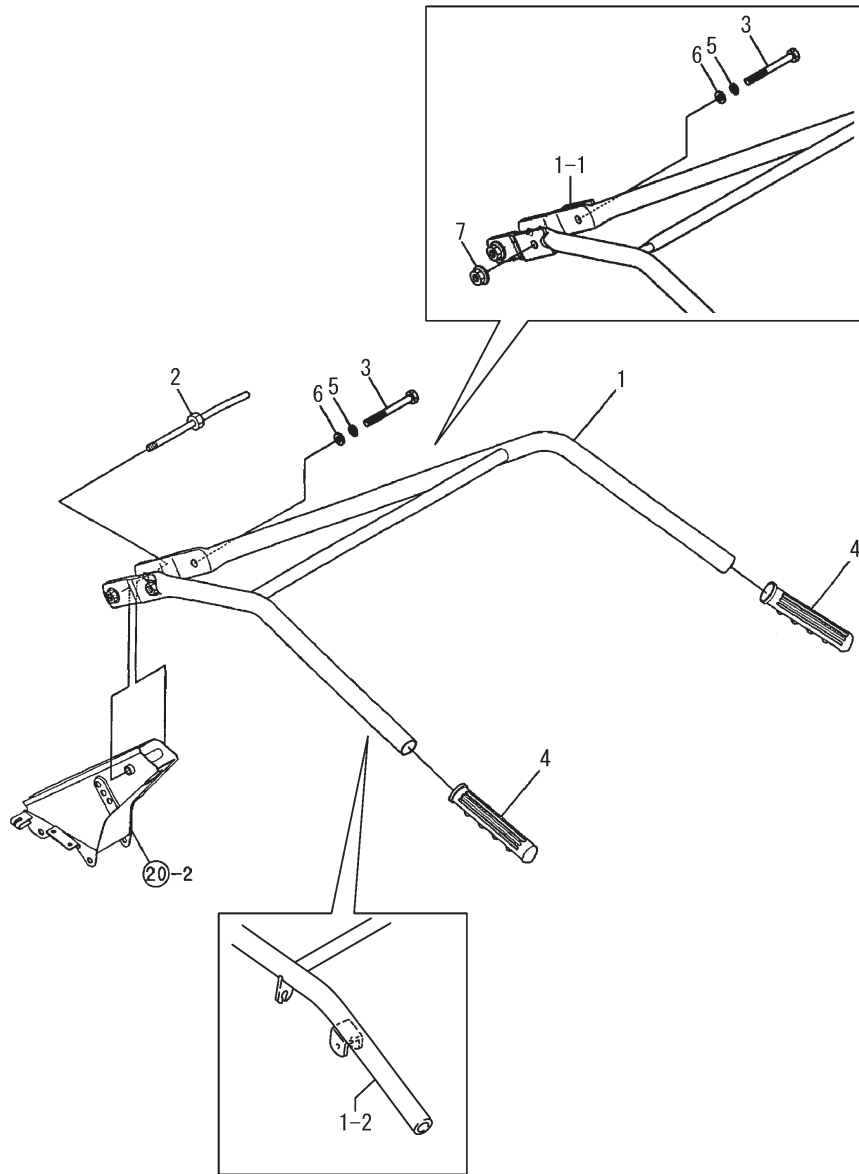


(A)=TE500
(B)=
(C)=

(D)=
(E)=
(F)=

No.	Lev.	Parts No.	Description	Q'ty						I	R
				(A)	(B)	(C)	(D)	(E)	(F)		
1	1	1A2132-51090	BOLT,HANDLE COLUMN	1							
2	1	1A2132-51300	FRAME COMP.,HANDLE	1							
3	1	1A2130-51400	COVER,HANDLE FRAME	1							
4	1	1A1750-90050	SCREW 5X10,TAPPING	1							
5	1	1A1750-90150	WASHER 5,PLAIN	1							
6	1	22137-100000	WASHER, 10	1							
7	1	26157-101002	BOLT, M10X100 PLATED	1							
8	1	26377-100002	NUT, M10	2							

Fig.21. HANDLE

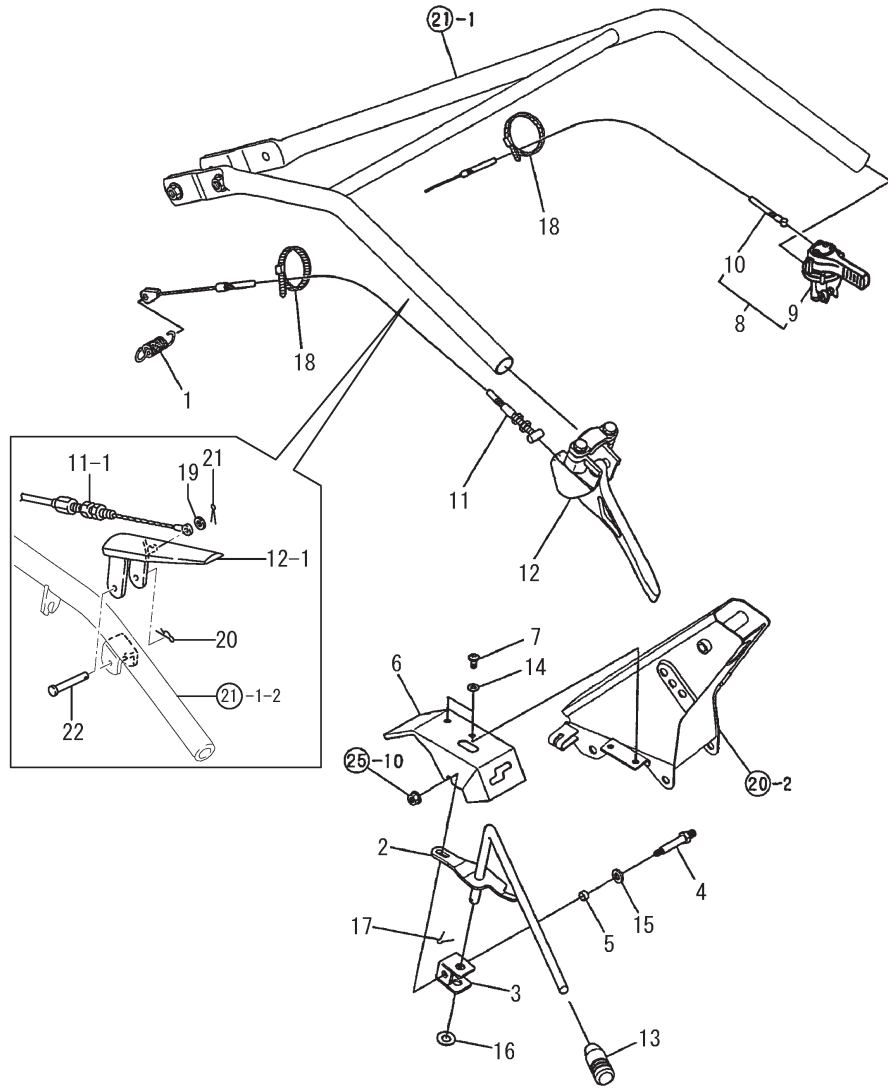


(A)=TE500
(B)=
(C)=

(D)=
(E)=
(F)=

No.	Lev.	Parts No.	Description	Q'ty						I	R
				(A)	(B)	(C)	(D)	(E)	(F)		
1	1	1A2132-51500 (A=FXXXXX)	HANDLE E COMPL.	1							Z
1-1	1	1A2509-51500 (A=FXXXXX)	HANDLE E COMPL.	1							W
1-2	1	1A2509-51600 (A=F012898)	HANDLE CMP	1							S
2	1	1A2132-51600	BOLT COMP.,HANDLE		1						
3	1	1A2132-51640	BOLT M10X125		1						
4	1	192040-56220	GRIP,HANDLE		2						
5	1	22287-100000	WASHER, 10		2						
6	1	22117-100000	WASHER, 10		1						
7	1	26737-100002 (A=FXXXXX)	NUT, M10		1						W

Fig.22. CONTROL LEVER(E



(A)=TE500

(B)=

(C)=

(D)=

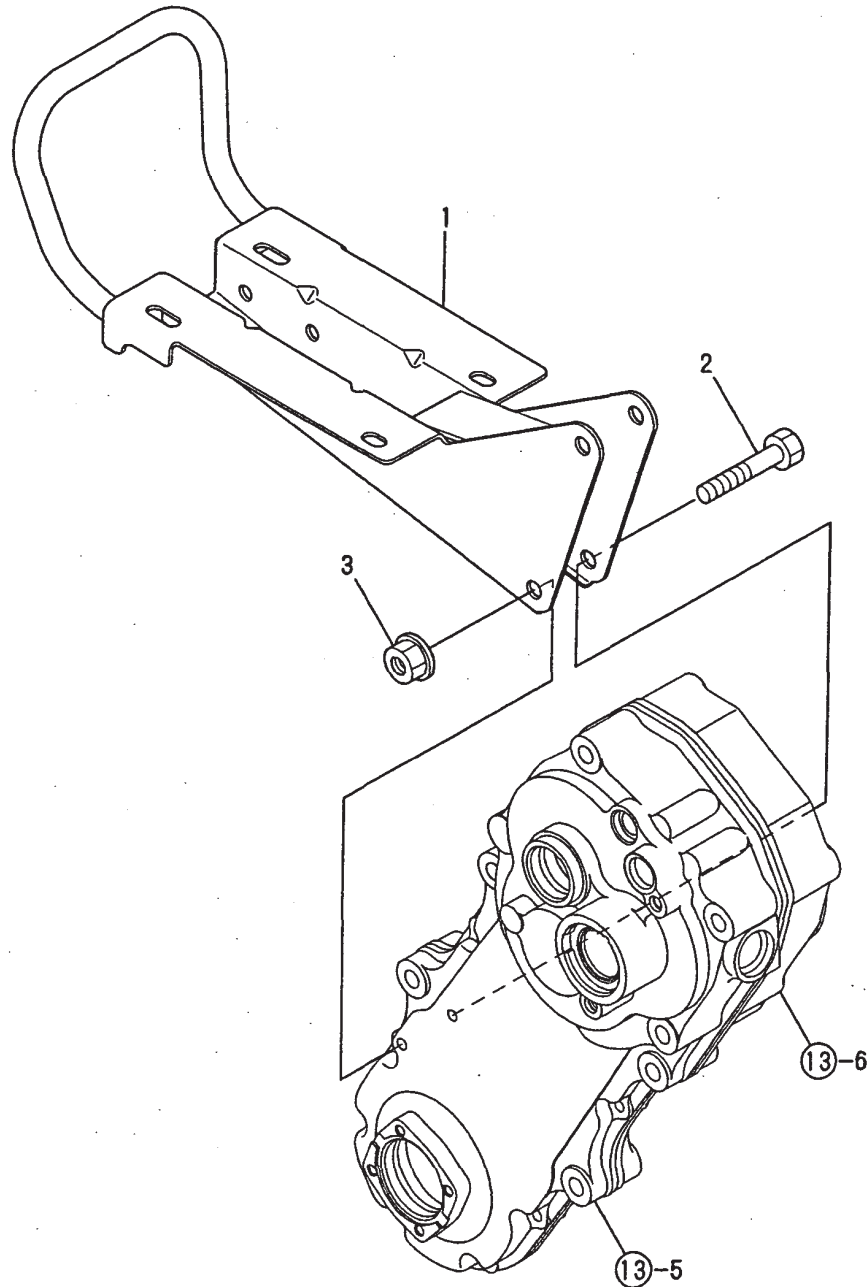
(E)=

(F)=

No.	Lev.	Parts No.	Description	Q'ty						I	R
				(A)	(B)	(C)	(D)	(E)	(F)		
1	1	1A1105-16001	SPRING,MN.CLTCH LVR.	1							
2	1	1A2132-55001	LEVER COMP.,CHANGE	1							
3	1	1A2132-55040	FULCRUM,CHANGE	1							
4	1	1A2132-55080	PIN,CHANGE FULCRUM	1							
5	1	1A2132-55090	BUSH 8X8,COILED	1							
6	1	1A2132-55210	COVER,CHANGE	1							
7	1	1A1735-55350	SCREW 6X12,PAN HD.	2							
8	1	1A2132-55500	LEVER E ASSY.,ACCEL.	1							
9	2	1A2132-55510	LEVER E,ACCELERATOR	1							
10	2	1A2132-55520	WIRE ACCELE	1							
11	1	1A2132-55550	WIRE,MAIN CLUTCH	1							
11-1	1	1A2132-55650	WIRE, CLUTCH MAIN	1							S
(A=F012898)											
12	1	1A2132-55610	LEVER E,CLUTCH	1							
12-1	1	1A2009-55400	LEVER COMP.,DEADMAN	1							S
(A=F012898)											
13	1	1E6570-65750	GRIP,CONT.LEVER BLK.	1							
14	1	1A1750-90120	WASHER 6,SPRING BLK.	2							
15	1	22137-080000	WASHER, 8	1							
16	1	22137-100000	WASHER, 10	1							
17	1	22411-200200	COTTER PIN 2.0X20	1							
18	1	1A2320-55600	BAND, CABLE	2							
19	1	22137-060000	WASHER, 6	1							W
(A=F012898)											
20	1	22372-080000	PIN, SNAP 8	1							W
(A=F012898)											
21	1	22417-200100	COTTER PIN 2.0X10	1							W
(A=F012898)											
22	1	22486-080400	PIN, H 8X 40	1							W
(A=F012898)											

Fig.23. ENGINE FRAME

23. ENGINE FRAME



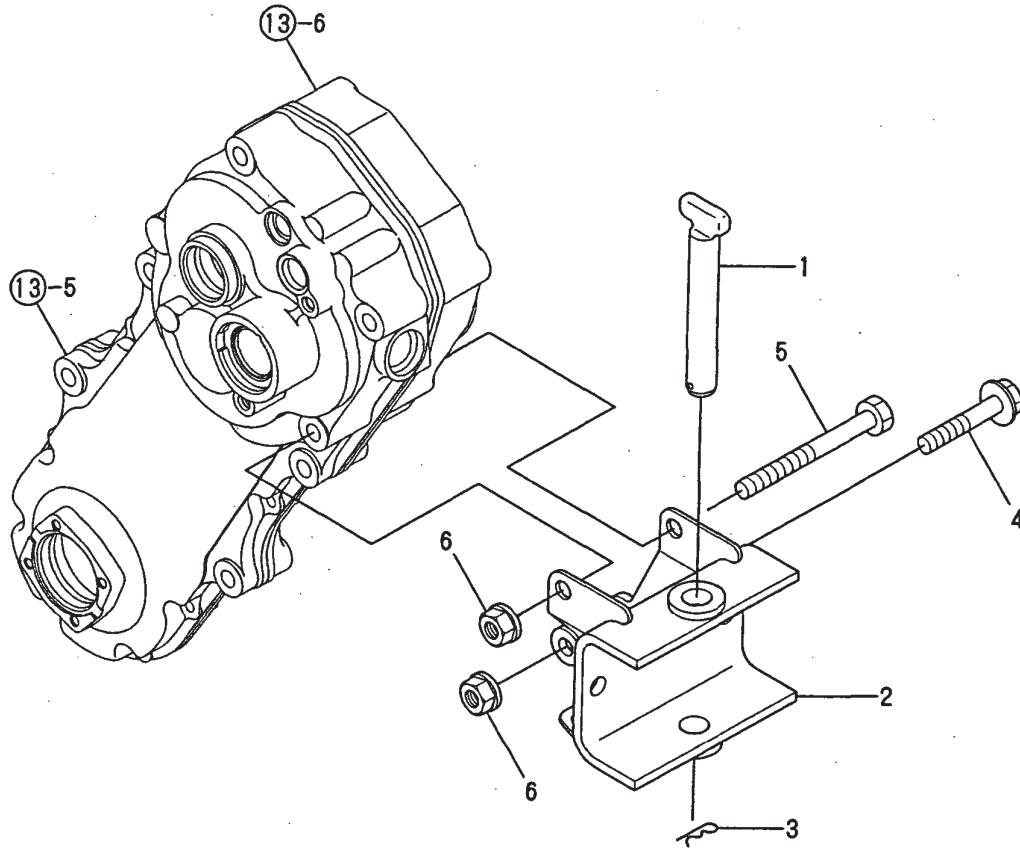
(A)=TE500
(B)=
(C)=

(D)=
(E)=
(F)=

No.	Lev.	Parts No.	Description	Q'ty						I	R
				(A)	(B)	(C)	(D)	(E)	(F)		
1	1	1A2132-61000	FRAME COMP.,ENGINE	1							
2	1	26137-100552	BOLT, M10X 55 PLATED	1							
3	1	26377-100002	NUT, M10	1							

Fig.24. REAR HITCH

24. REAR HITCH

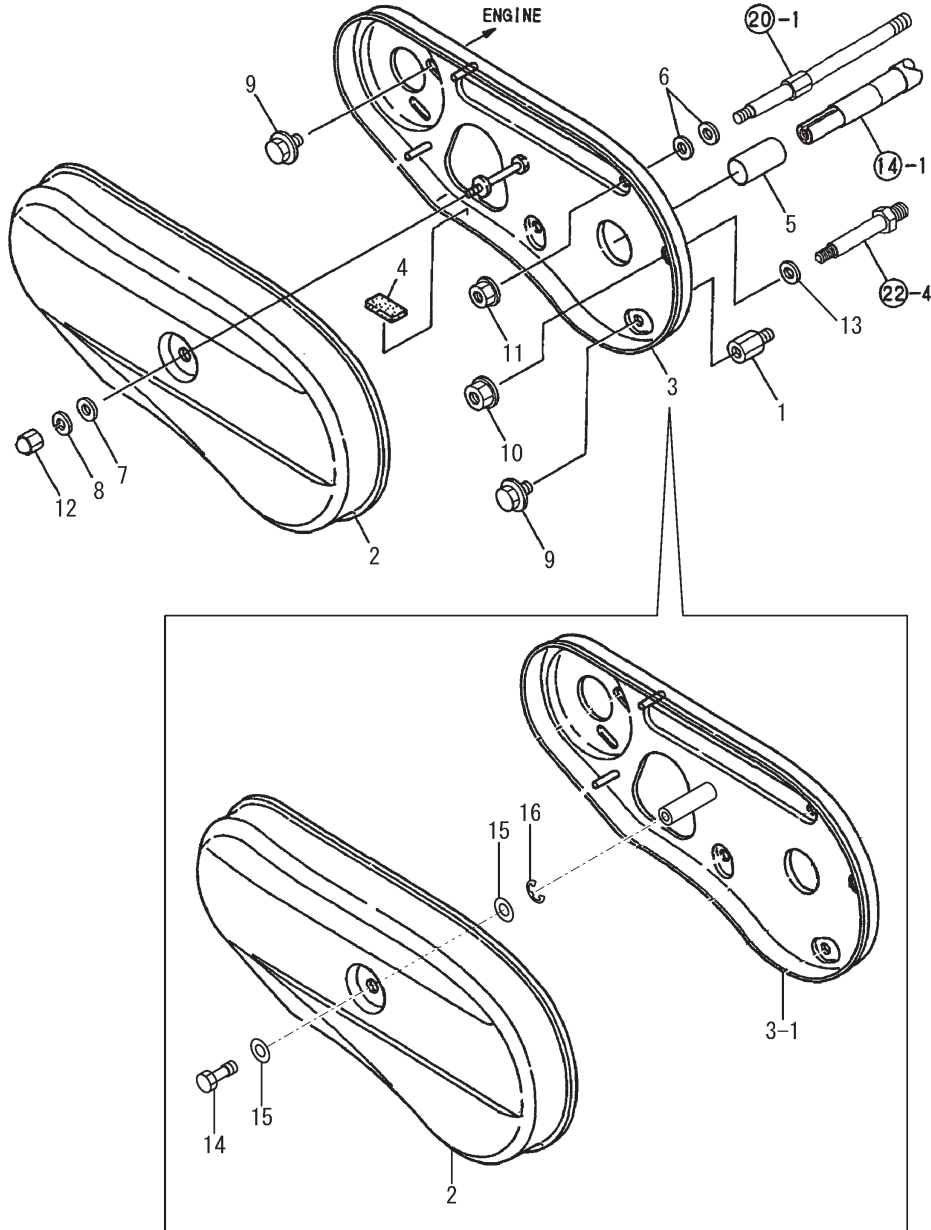


(A)=TE500
(B)=
(C)=

(D)=
(E)=
(F)=

No.	Lev.	Parts No.	Description	Q'ty						I	R
				(A)	(B)	(C)	(D)	(E)	(F)		
1	1	1A2132-61260	PIN,HITCH	1							
2	1	1A2132-61500	HITCH COMPL.	1							
3	1	22360-160000	PIN, SNAP 16	1							
3-1	1	1A2860-61450 (A=FXXXXX)	SNAP PIN 16	1							N
4	1	26137-100552	BOLT, M10X 55 PLATED	1							
4-1	1	26136-100552 (A=FZZZZZ)	BOLT M10X 55	1							N
5	1	26156-100952	BOLT, M10X 95 PLATED	1							
6	1	26377-100002	NUT, M10	2							

Fig.25. BELT COVER

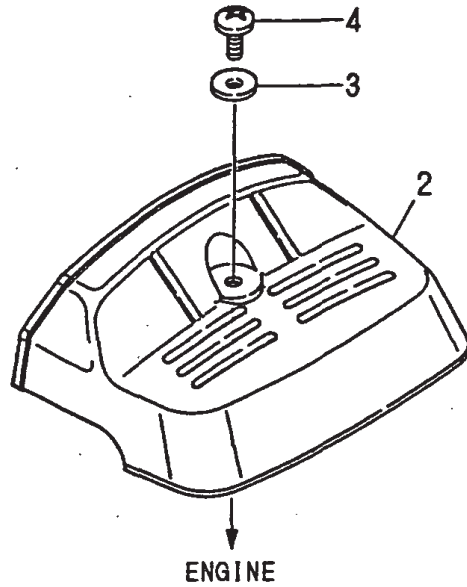
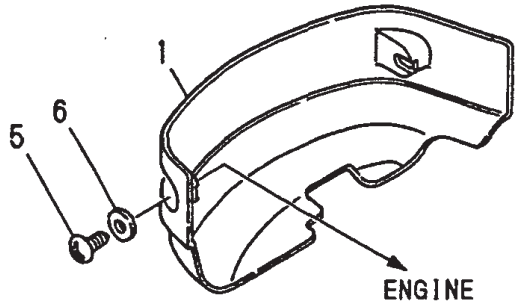


No.	Lev.	Parts No.	Description	Q'ty						I	R
				(A)	(B)	(C)	(D)	(E)	(F)		
1	1	1A1490-10340	STUD 22.5,BACK COVER	1							
2	1	1A2132-62010	COVER,BELT	1							
3	1	1A2132-62100	COVER COMP.,BACK	1							
3-1	1	1A2132-62200	COVER COMP.,BACK	1							F
		(A=FZZZZZ)									
4	1	1A2000-62481	CUSHION	1							
5	1	1A2132-62400	GUARD,MAIN SHAFT	1							
6	1	22137-080000	WASHER, 8	2							Z
7	1	22157-080000	WASHER, 8	1							
		(A=FZZZZZ)									
8	1	22217-080000	WASHER, SPRING 8	1							Z
		(A=FZZZZZ)									
9	1	26107-080122	BOLT M 8X 12 PLATED	3							
9-1	1	26106-080122	BOLT, M8X 12 PLATED	3							N
		(A=FXXXXX)									
9-2	1	26014-080162	BOLT, M8X 16	3							R
		(A=FXXXXX)									
10	1	26367-060002	NUT, M6	1							
11	1	26367-080002	NUT, M8	1							
12	1	26668-080002	NUT, CAP M8	1							Z
		(A=FZZZZZ)									
13	1	1A2132-27230	WASHER	1							W
		(A=FZZZZZ)									
14	1	1A2132-62050	BOLT	1							W
		(A=FZZZZZ)									
15	1	22137-080000	WASHER, 8	2							W
		(A=FZZZZZ)									
16	1	22272-000060	RING, E- 6	1							W
		(A=FZZZZZ)									

Remarks
 (1)INTERCHANGEABLE BY SIMULTANEOUS
 REPLACEMENT WITH REF.14,15 & 16.

Fig.26. BONNET W

26. BONNET W



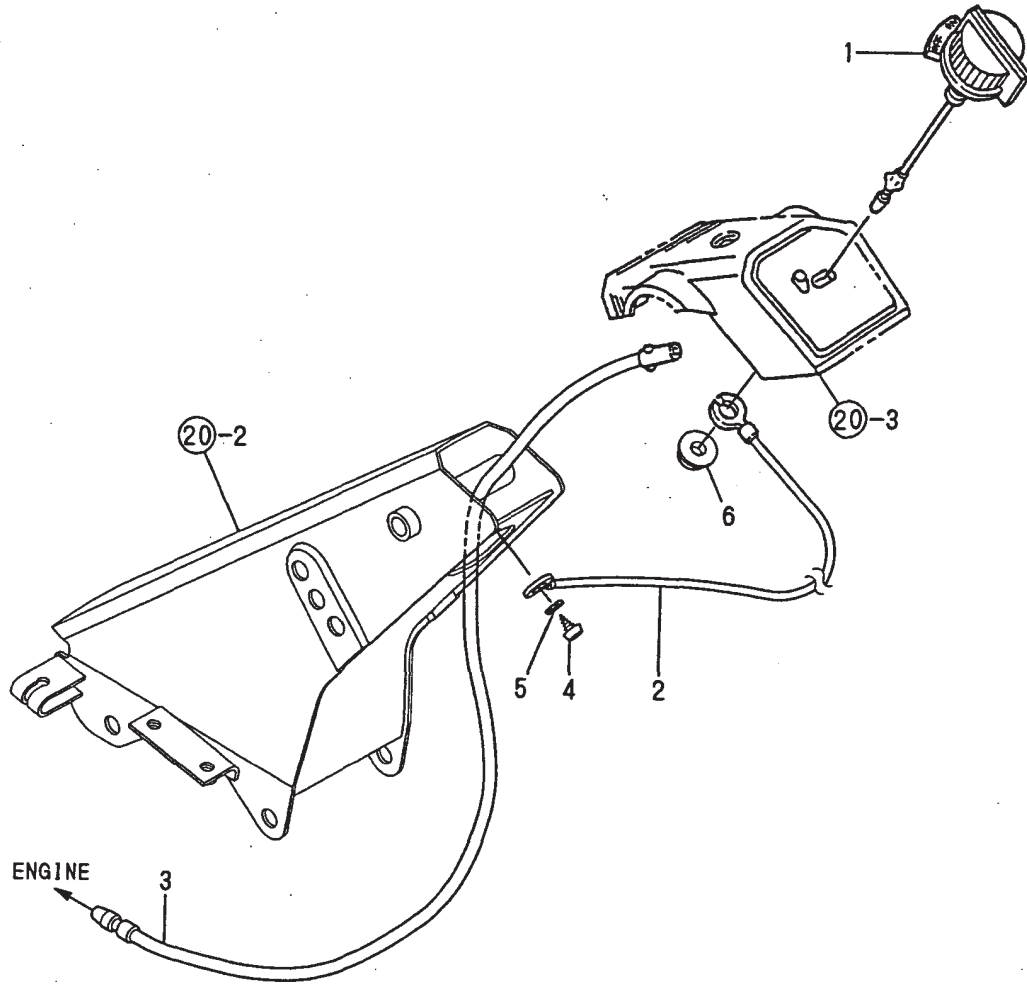
(A)=TE500
(B)=
(C)=

(D)=
(E)=
(F)=

No.	Lev.	Parts No.	Description	Q'ty						I	R
				(A)	(B)	(C)	(D)	(E)	(F)		
1	1	1A2172-64100	MASK,FRONT	1							
2	1	1A2150-64200	COVER, REAR (40	1							
3	1	1A2000-64210	WASHER 6X19X1.0	1							
4	1	1A2000-64220	SCREW 6X16	1							
5	1	1A1750-90050	SCREW 5X10,TAPPING	2							
6	1	1A1750-90150	WASHER 5,PLAIN	2							

Fig.28. ELECTRICAL PARTS

28. ELECTRICAL PARTS



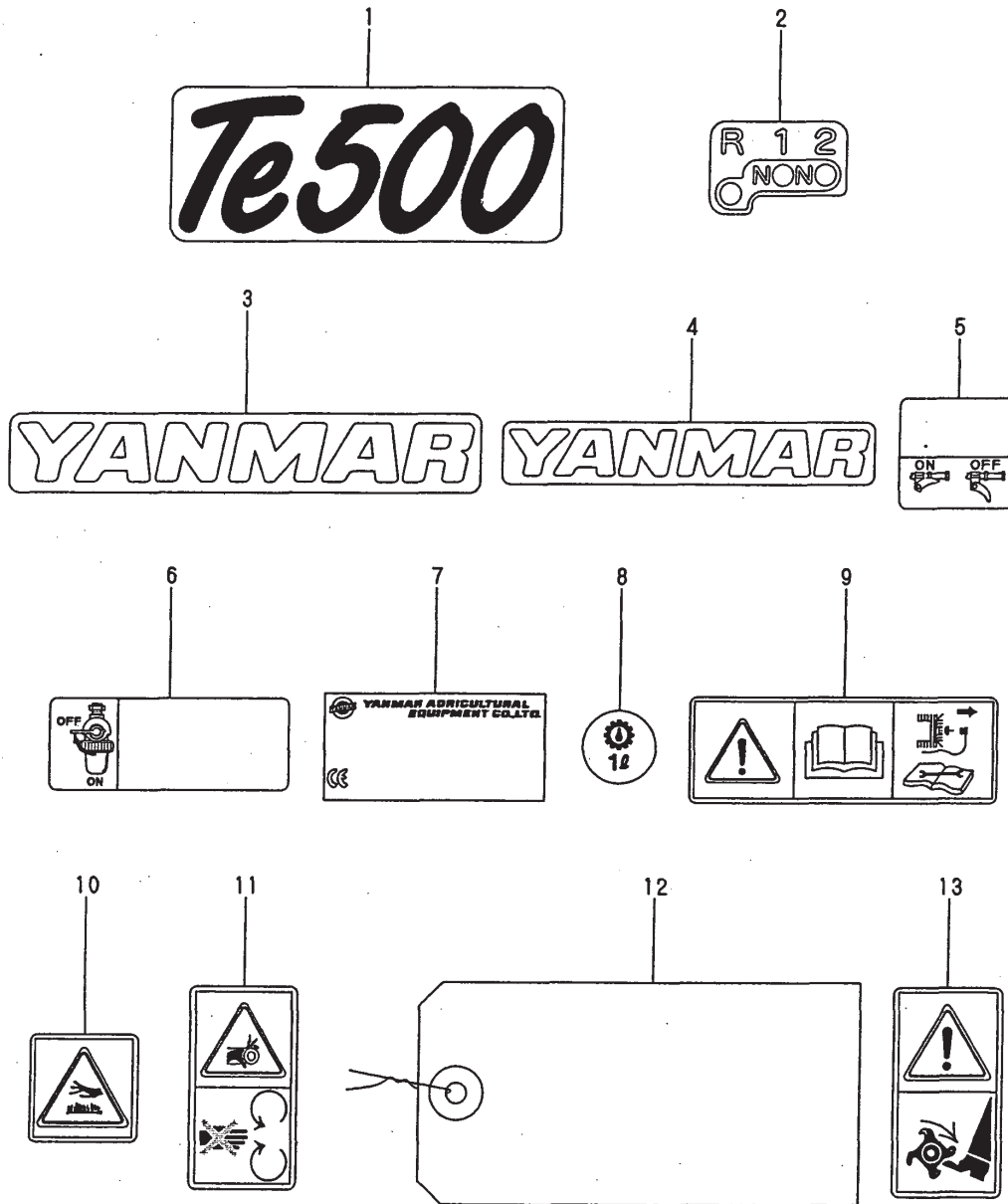
(A)=TE500
(B)=
(C)=

(D)=
(E)=
(F)=

No.	Lev.	Parts No.	Description	Q'ty						I	R
				(A)	(B)	(C)	(D)	(E)	(F)		
1	1	1A1750-40800	SWITCH,STOP	1							
2	1	1A1750-40850	CORD,EARTH	1							
3	1	1A2000-83100	CORD,STOP SWITCH	1							
4	1	1A1750-90050	SCREW 5X10,TAPPING	1							
5	1	1A1750-90150	WASHER 5,PLAIN	1							
6	1	26367-080002	NUT, M8	1							

Fig.29. LABELS

29. LABELS



(A)=TE500

(B)=

(C)=

(D)=

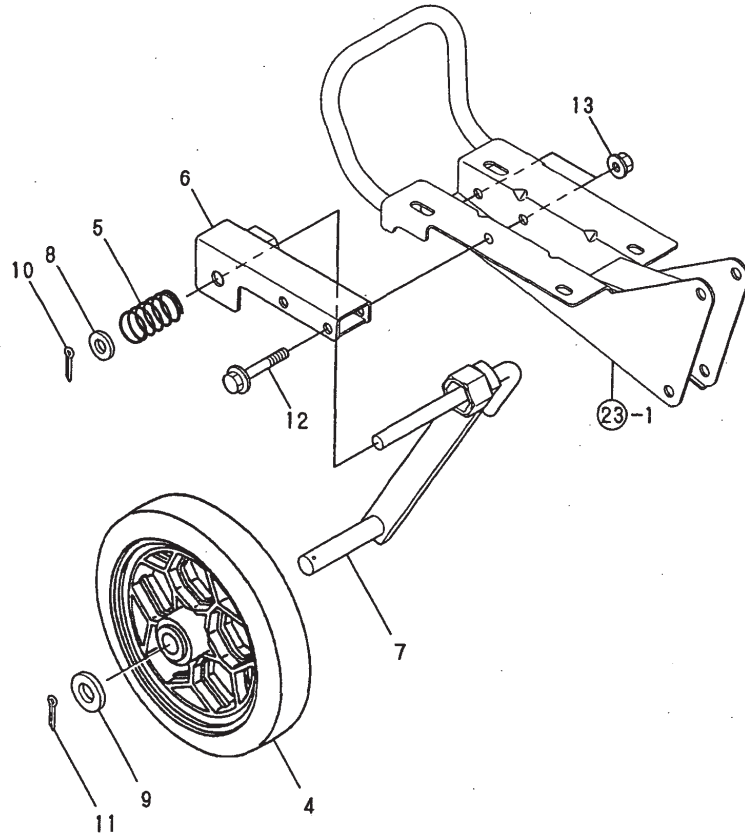
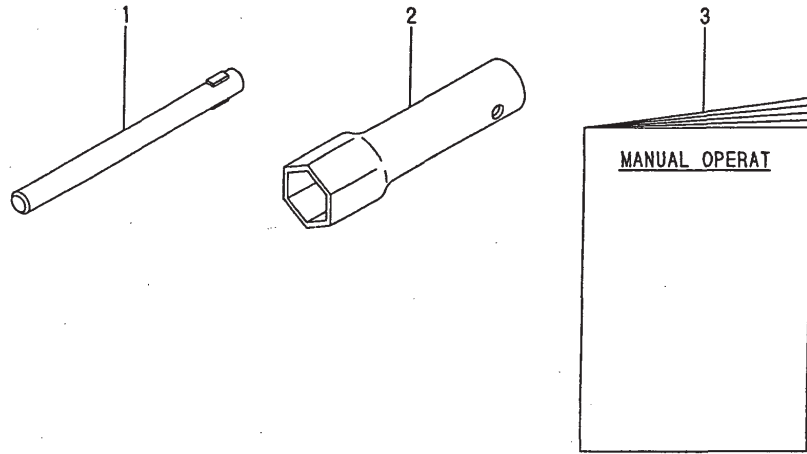
(E)=

(F)=

No.	Lev.	Parts No.	Description	Q'ty						I	R
				(A)	(B)	(C)	(D)	(E)	(F)		
1	1	1A2132-86020	LABEL,MODEL	1							
2	1	1A2132-86070	MARK,TRAVEL CHANGE	1							
3	1	1A2150-86080	LABEL,FRONT MASK	1							
4	1	1A2130-86320	LABEL,FUEL TANK	1							
5	1	1A2099-86340	LABEL,MAIN CLUTCH	1							
6	1	1A2099-86360	LABEL,FUEL COCK	1							
8	1	1A2138-86701	LABEL 1,OIL	1							
9	1	1A2199-86700	MARK,HANDLING CAUTN	1							
10	1	1A2199-86720	MARK,HI-TEMP.CAUTION	1							
11	1	1A2199-86840	MARK,BELT CVR.CAUTN	1							
13	1	1A2199-86900	MARK,ROTARY CAUTION	1							

Fig.30. TOOLS & ACCESSORIES

30. TOOLS & ACCESSORIES



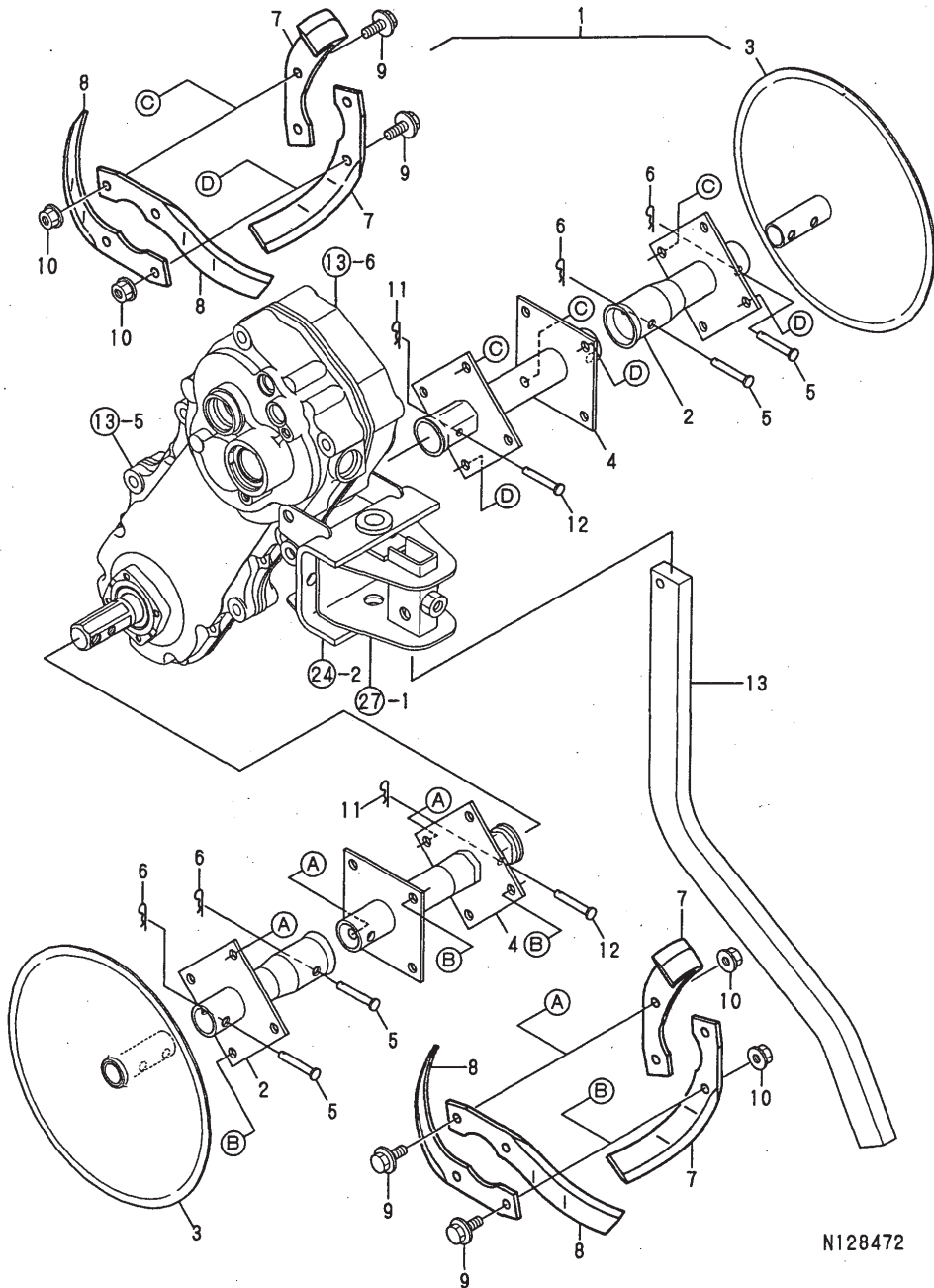
(A)=TE500
(B)=
(C)=

(D)=
(E)=
(F)=

No.	Lev.	Parts No.	Description	Q'ty						I	R
				(A)	(B)	(C)	(D)	(E)	(F)		
1	1	1A2320-87000	BAR,WRENCH	1							
2	1	160110-92700	WRENCH, 21 L140	1							
3	1	1A2132-88050	MANUAL,OPERATION	1							
3-1	1	1A2132-88051 (A=FZZZZZ)	MANUAL	1							N
4	1	1A2170-72200	WHEEL 195,TAIL	1							
5	1	1A2130-90050	SPRING 20X45	1							
6	1	1A2132-90800	ARM SUPPORT CMP	1							
7	1	1A2132-90850	ARM,FRONT CMP.	1							
8	1	22137-120000	WASHER, 12	2							
9	1	22137-160000	WASHER, 16	2							
10	1	22417-250180	PIN, COTTER 2.5X18	1							
11	1	22417-250250	PIN, COTTER 2.5X25	1							
12	1	26107-080502	BOLT M 8X 50 PLATED	2							
13	1	26367-080002	NUT, M8	2							

Fig.31. TILLING ROTOR(E)

31. TILLING ROTOR(E)



N128472

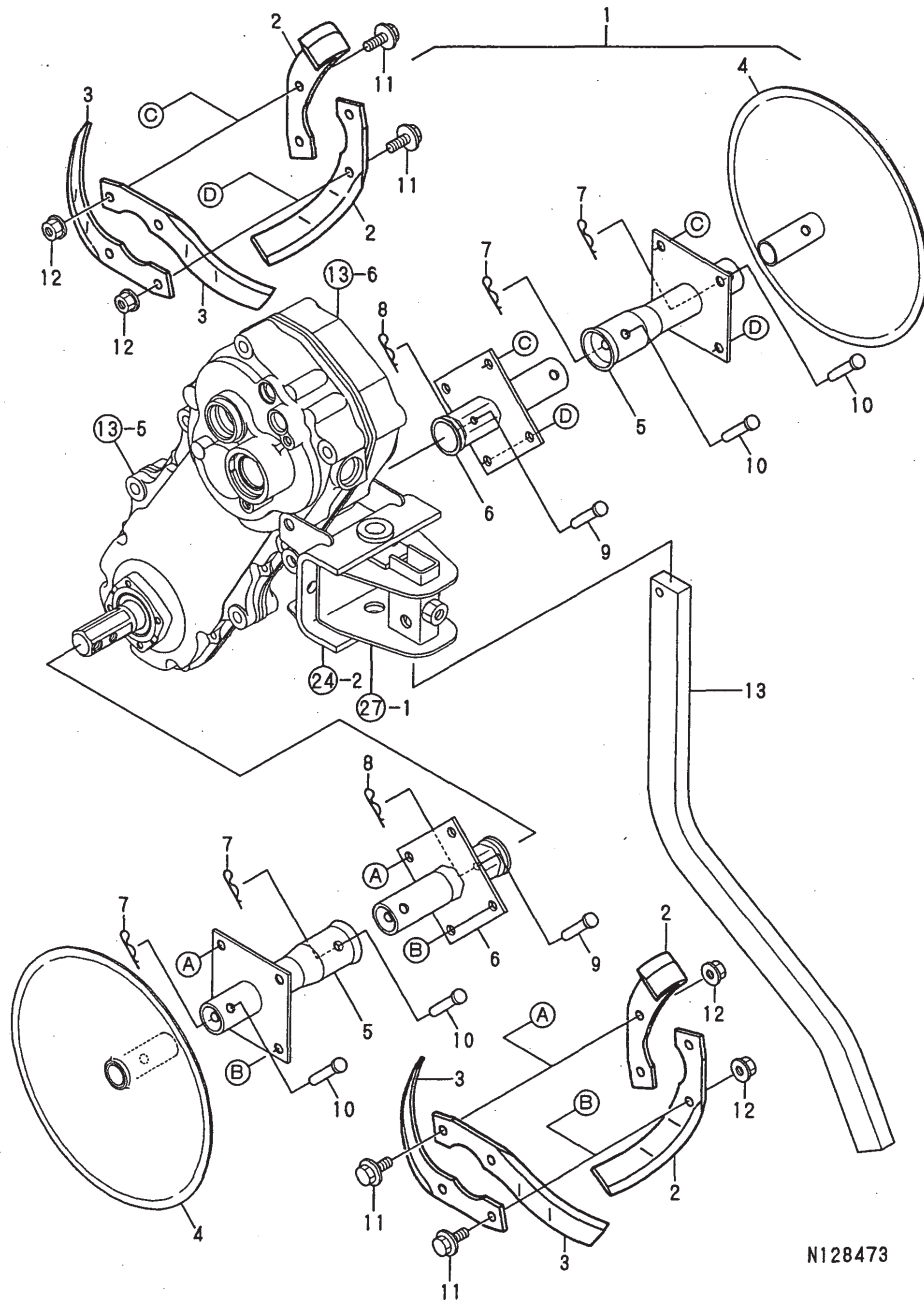
(A)=TE500
(B)=
(C)=

(D)=
(E)=
(F)=

No.	Lev.	Parts No.	Description	Q'ty						I	R
				(A)	(B)	(C)	(D)	(E)	(F)		
1	1	7A2132-31400	ROTOR E ASSY.,TILLG	1							
2	2	1A2132-31150	SHAFT CMP.,OTR.ROTOR	2							
3	2	1A2132-31200	DISC COMPL.	2							
4	2	1A2132-31500	SHAFT E COMP.,ROTOR	2							
5	2	1A1540-46010	PIN 8X35,FLAT HEAD	4							
6	2	1A1540-46020	PIN 8,SNAP	4							
7	2	1A1402-91180	TAIN L ROTOR	12							
7-1	2	1A1402-91181	ROTOR TINE L	12							N
(A=FXXXXXXX)											
8	2	1A1402-91190	TAIN R ROTOR	12							
8-1	2	1A1402-91191	ROTOR TINE R	12							N
(A=FXXXXXXX)											
9	2	26107-080202	BOLT M 8X 20 PLATED	24							
10	2	26367-080002	NUT, M8	24							
11	2	22372-060000	PIN, SNAP 6	2							
12	2	22486-060400	PIN, H 6X 40	2							
13	1	1S0090-60000	BAR,RESISTANCE	1							

Fig.32. TILLING ROTOR(EB)

32. TILLING ROTOR(EB)



N128473

(A)=TE500

(B)=

(C)=

(D)=

(E)=

(F)=

No.	Lev.	Parts No.	Description	Q'ty						I	R
				(A)	(B)	(C)	(D)	(E)	(F)		
1	1	7A2132-31410	ROTOR EB AS.,TILLING	1							
2	2	1A2132-31050	TINE L,ROTOR	8							
3	2	1A2132-31060	TINE R,ROTOR	8							
4	2	1A2132-31200	DISC COMPL.	2							
5	2	1A2132-31240	SHAFT J CMP,OT.ROTOR	2							
6	2	1A2132-31410	SHAFT E CMP,IN.ROTOR	2							
7	2	1A1540-46020	PIN 8,SNAP	4							
8	2	22372-060000	PIN, SNAP 6	2							
9	2	22486-060400	PIN, H 6X 40	2							
10	2	22486-080400	PIN, H 8X 40	4							
11	2	26107-080202	BOLT M 8X 20 PLATED	16							
12	2	26367-080002	NUT, M8	16							
13	1	1S0090-60000	BAR,RESISTANCE	1							

Parts No. Index

Parts No.	Fig. No.	Ref. No.
104200-59170	1	9
		17
106990-44660	5	24
114250-45310	5	1
114252-13950	3	18
114270-01600	1	5
114770-61600	7	5
124060-77680	5	28
160110-01870	1	21
160110-92700	30	2
160120-76940	7	10
160310-56980	6	14
160310-56990	6	15
160341-01950	8	32
160393-55050	5	11
160490-14200	4	10
160492-12630	3	11 -1
160492-12940	3	12 -1
160520-07272	9	3
160520-66291	7	23
160590-11010	2	5
160590-11100	2	10
160590-11110	2	11
160590-14400	4	11
160590-14571	4	9
160590-21200	4	17
160590-21210	4	18
160590-22300	4	27
160590-56530	6	5
160590-56650	6	16
160590-78092	8	24
160590-78532	8	25
160590-78542	8	27
160592-14051	4	1
160592-45110	8	18
160592-55160	5	13
160592-56540	6	2
160592-76510	8	3
160593-03180	2	2
160594-66011	7	12
160598-01330	2	3
160598-04600	3	1
160598-12500	3	7
160598-12600	3	8
160598-12610	3	9
160598-12630	3	11
160598-12640	3	12
160598-13510	3	16
160598-13600	3	15
160598-22010	4	21

Parts No.	Fig. No.	Ref. No.
160598-56080	6	1
160598-56250	3	5
160598-56880	6	24
160610-01690	1	8
		16
160610-02220	1	6
		13
160610-04201	2	4
160610-04910	4	13
160610-21290	4	19
160610-55100	5	12
160610-56150	3	4
	6	35
160610-56610	6	19
160610-56630	6	12
160610-56900	6	32
160640-56850	6	26
160664-66220	7	26
160667-56750	6	27
160670-66350	7	27
160690-03050	2	1
160690-11120	2	12
160690-11180	2	13
160690-11200	2	14
160690-11221	2	15
160690-11271	2	16
160690-11280	2	17
160690-11290	2	18
160690-11300	2	20
160690-11310	2	21
160690-12261	3	2
160690-13200	3	14
160690-45200	8	33
160690-55140	5	22
160690-55461	5	21
160690-56160	6	36
160690-56560	6	3
160690-56570	6	4
160690-59400	5	27
160690-61301	7	2
160690-61311	7	3
160690-61450	7	4
160690-61600	7	6
160690-66111	7	19
160690-66143	7	20
160690-66180	7	31
160690-66200	7	34
160690-66210	7	35
160690-76521	8	4
160690-76531	8	6

Parts No.	Fig. No.	Ref. No.
160690-76540	8	7
160690-76561	8	8
160690-76570	8	13
160690-76591	8	15
160690-76620	8	11
160690-76631	8	10
160690-76801	8	5
160690-76830	8	12
160690-78230	8	26
160692-07370	9	4
160692-13530	3	17
160692-55300	5	14
160692-56560	6	34
160692-56640	6	13
160692-56671	6	21
160692-56700	6	30
160692-56710	6	7
160692-56770	6	29
160692-56800	6	31
160692-56900	6	37
160692-66051	7	14
160692-66101	7	13
160693-76051	8	1
160693-76251	8	2
160698-76580	8	14
160699-45010	8	17
160700-78040	8	22
160700-78050	8	23
160700-78720	8	28
160702-56720	6	28
160710-01760	1	18
160710-55061	5	4
160710-55360	5	17
160710-55370	5	18
160710-55382	5	19
160710-55390	5	20
160710-56740	6	6
160710-78710	5	29
160730-59370	5	25
160763-12600	3	3
160769-56620	6	11
160769-56640	6	20
160769-56660	6	22
160793-78010	8	21
160798-07100	9	2
160810-56550	6	23
160810-56580	6	17
160810-56590	6	18
160820-59390	5	26
160991-07260	9	1

Parts No.	Fig. No.	Ref. No.
181230-56380	6	8
		33
192040-56220	21	4
1A1105-16001	22	1
1A1402-91180	31	7
1A1402-91181	31	7 -1
1A1402-91190	31	8
1A1402-91191	31	8 -1
1A1470-20090	13	1
1A1490-10340	25	1
1A1540-46010	31	5
1A1540-46020	31	6
	32	7
1A1735-23250	16	2
1A1735-55350	22	7
1A1750-20410	13	2
1A1750-20421	13	3
1A1750-20431	13	4
1A1750-40800	28	1
1A1750-40850	28	2
1A1750-90050	20	4
	26	5
	28	4
1A1750-90120	22	14
1A1750-90150	20	5
	26	6
	28	5
1A1750-90200	13	11
	18	5
1A2000-24600	17	2
1A2000-62481	25	4
1A2000-64210	26	3
1A2000-64220	26	4
1A2000-83100	28	3
1A2001-21250	13	10
1A2009-55400	22	12 -1
1A2099-86340	29	5
1A2099-86360	29	6
1A2130-51400	20	3
1A2130-86320	29	4
1A2130-90050	30	5
1A2132-12000	11	2
1A2132-12200	11	3
1A2132-13000	12	1
1A2132-13060	12	2
1A2132-13190	12	4
1A2132-21000	13	5
1A2132-21010	13	6
1A2132-21070	13	7
1A2132-21080	13	8

Parts No. Index

Parts No.	Fig. No.	Ref. No.
1A2132-21150	13	9
1A2132-23010	14	1
1A2132-23020	14	2
1A2132-23091	15	1
1A2132-23290	16	3
1A2132-23310	16	4
1A2132-23400	16	5
1A2132-24100	17	1
1A2132-27000	18	1
1A2132-27050	18	2
1A2132-27100	18	3
1A2132-27230	25	13
1A2132-31050	32	2
1A2132-31060	32	3
1A2132-31150	31	2
1A2132-31200	31	3
	32	4
1A2132-31240	32	5
1A2132-31410	32	6
1A2132-31500	31	4
1A2132-32010	19	1
1A2132-32020	19	2
1A2132-51090	20	1
1A2132-51300	20	2
1A2132-51500	21	1
1A2132-51600	21	2
1A2132-51640	21	3
1A2132-55001	22	2
1A2132-55040	22	3
1A2132-55080	22	4
1A2132-55090	22	5
1A2132-55210	22	6
1A2132-55500	22	8
1A2132-55510	22	9
1A2132-55520	22	10
1A2132-55550	22	11
1A2132-55610	22	12
1A2132-55650	22	11 -1
1A2132-61000	23	1
1A2132-61260	24	1
1A2132-61500	24	2
1A2132-62010	25	2
1A2132-62050	25	14
1A2132-62100	25	3
1A2132-62200	25	3 -1
1A2132-62400	25	5
1A2132-75500	27	1
1A2132-86020	29	1
1A2132-86070	29	2
1A2132-88050	30	3

Parts No.	Fig. No.	Ref. No.
1A2132-88051	30	3 -1
1A2132-90800	30	6
1A2132-90850	30	7
1A2138-86701	29	8
1A2150-64200	26	2
1A2150-86080	29	3
1A2170-72200	30	4
1A2172-64100	26	1
1A2190-23160	16	1
1A2199-86700	29	9
1A2199-86720	29	10
1A2199-86840	29	11
1A2199-86900	29	13
1A2320-13100	12	3
1A2320-13300	11	7
1A2320-13301	11	7 -1
		7 -3
1A2320-55600	22	18
1A2320-87000	30	1
1A2509-51500	21	1 -1
1A2509-51600	21	1 -2
1A2740-13300	11	7 -2
1A2860-61450	24	3 -1
1D1140-11420	11	1
	12	5
1E6150-56040	18	4
1E6570-65750	22	13
1S0090-60000	31	13
	32	13
22117-100000	21	6
22137-060000	13	12
	18	6
	22	19
22137-080000	22	15
	25	6
		15
22137-100000	12	6
	13	13
	20	6
	22	16
22137-120000	13	14
	30	8
22137-160000	30	9
22157-060000	11	8
22157-080000	25	7
22217-060000	11	9
	18	7
22217-080000	11	4
	25	8
22242-000120	12	7

Parts No.	Fig. No.	Ref. No.
22252-000130	4	28
22272-000060	25	16
22287-100000	21	5
22360-160000	24	3
22372-060000	31	11
	32	8
22372-080000	7	11
	22	20
22411-200200	22	17
22417-200100	22	21
22417-250180	30	10
22417-250250	30	11
22486-060400	31	12
	32	9
22486-080400	22	22
	32	10
22512-040120	4	12
22512-040160	4	20
22512-050300	11	5
22512-050301	11	10
23414-080000	13	15
24101-062024	14	3
24101-062034	14	4
	15	2
24101-062040	1	7
		14
24101-062054	17	3
24101-063024	16	6
24101-063034	15	3
24190-100001	18	8
24311-000180	1	20
24421-173007	14	5
26014-080162	25	9 -2
26106-060082	8	16
26106-060102	5	23
26106-060202	2	22
26106-060302	4	31
26106-060352	2	23
26106-080122	3	19
	25	9 -1
26107-060102	13	16
26107-060122	19	3
26107-080122	25	9
26107-080142	19	4
26107-080202	31	9
	32	11
26107-080352	10	1
26107-080502	30	12
26117-040088	6	25
	7	18

Parts No.	Fig. No.	Ref. No.
26117-040257	7	24
26117-040357	7	25
26117-060162	11	11
26117-060222	13	17
26117-080162	11	6
26117-100252	27	2
26136-100552	24	4 -1
26137-100502	13	18
26137-100552	23	2
	24	4
26156-100952	24	5
26157-101002	13	19
	20	7
26216-080182	2	19
26347-060002	7	28
26366-060002	7	33
26366-080002	3	20
26367-060002	13	20
	19	5
	25	10
26367-080002	10	2
	12	8
	19	6
	25	11
	28	6
	30	13
	31	10
	32	12
26377-100002	12	9
	13	21
	20	8
	23	3
	24	6
26476-060122	13	11 -1
26476-060142	7	30
	8	19
		20
26476-060252	1	22
26476-060302	8	29
26657-060002	3	6
26668-080002	25	12
26717-060002	18	9
26717-100002	27	3
26737-100002	21	7
26757-060002	7	29
29610-000650	8	30
29610-000950	8	31
760590-01500	1	10
760590-21700	4	14
760590-23700	4	29

Parts No. Index

Parts No.	Fig. No.	Ref. No.
760593-55703	5	2
760598-01560	1	1
760598-22500	4	23
7A2132-31400	31	1
7A2132-31410	32	1

Parts No.	Fig. No.	Ref. No.
-----------	----------	----------

Parts No.	Fig. No.	Ref. No.
-----------	----------	----------

Parts No.	Fig. No.	Ref. No.
-----------	----------	----------